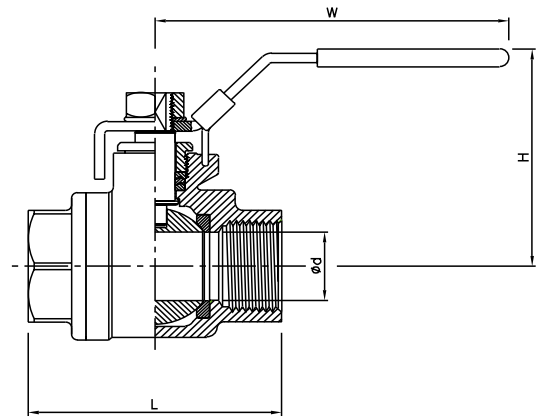


## Ball valves

*Measurement: All measurement are guidelines*

N 150  
 Ball valves type 2006, 2 piece BSP,  
 Acid proof, threaded ends, full bore,  
 PTFE seal

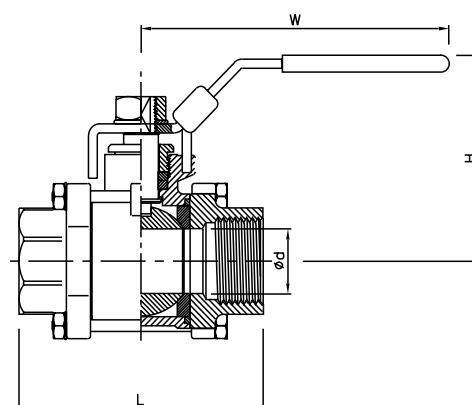
Dimension mm	L mm	H mm	W mm	Kg/pc	AISI 316 Articleno.
1/4"	61,0	50	102,0	0,26	29040
3/8"	61,0	50	102,0	0,28	29041
1/2"	64,0	50	102,0	0,30	29042
3/4"	78,0	60	120,0	0,55	29043
1"	90,0	70	159,0	0,84	29044
1 1/4"	100,0	80	159,0	1,26	29045
1 1/2"	118,0	90	188,0	2,00	29046
2"	138,0	90	188,0	3,13	29047



**N 151**

*Ball valves type 2013, 3 piece socket, acid Proof, threaded ends, full bore, PTFE seal*

Dimension mm	L mm	H mm	W mm	Kg/pc	AISI 316	Articleno.
1/4"	64,5	54	102,0	0,41		29051
3/8"	64,5	54	102,0	0,41		29052
1/2"	66,0	57	102,0	0,52		29053
3/4"	83,5	66	120,5	0,71		29054
1"	95,0	76	158,5	1,08		29055
1 1/4"	111,2	81	158,5	1,71		29056
1 1/2"	129,8	98	188,0	2,35		29057
2"	151,0	106	188,0	3,55		29058



**N 152**

*Ball valves type 2012, 3 piece socket, acid Proof, welding ends, full bore, PTFE seal*

Dimension mm	L mm	H mm	W mm	Kg/pc	AISI 316	Articleno.
13,5	64,5	54	102,0	0,41		29062
17,2	64,5	54	102,0	0,41		29063
21,3	66,0	57	102,0	0,52		29064
26,9	82,6	66	120,5	0,71		29065
33,7	95,0	76	158,5	1,08		29066
42,4	111,2	81	158,5	1,71		29067
48,3	130,6	98	188,0	2,35		29068
60,3	151,0	106	188,0	3,55		29069
76,1	185,0	138	245,0	8,90		29070
88,9	212,0	154	245,0	14,30		29071
114,3	235,0	178	320,0	23,40		29072

