

Compression fittings

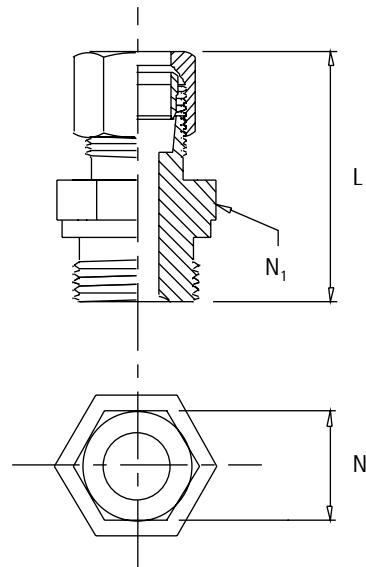
DIN 2353

*Workingpressure by 20°C: 250 bars 6-15 mm tubes
 160 bars 18-22 mm tubes*

Measurement: All measurement are guidelines

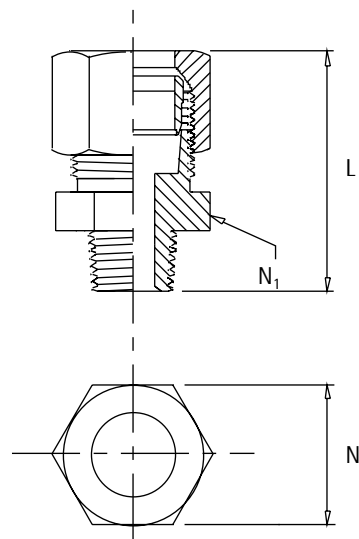
N 98 DL
*Union, male connector,
 BSP thread connection*

Dimension	L mm	N mm	N ₁ mm	Kg/pc	EN 1.4571	Articleno.
6,0 mm 1/8"	31,0	14,0	14,0	0,020		10378
6,0 mm 1/4"	39,0	19,0	14,0	0,030		10379
6,0 mm 3/8"	39,0	22,0	14,0	0,048		10380
8,0 mm 1/4"	37,0	19,0	17,0	0,031		10381
10,0 mm 1/4"	38,0	19,0	19,0	0,050		10382
10,0 mm 3/8"	39,0	22,0	19,0	0,070		10383
10,2 mm 1/4"	38,0	19,0	19,0	0,050		10384
10,2 mm 3/8"	39,0	22,0	19,0	0,064		10385
12,0 mm 1/4"	39,0	19,0	22,0	0,086		10386
12,0 mm 3/8"	39,0	22,0	22,0	0,088		10387
12,0 mm 1/2"	42,0	27,0	22,0	0,100		10388
15,0 mm 1/4"	44,0	24,0	27,0	0,095		10391
15,0 mm 3/8"	44,0	24,0	27,0	0,096		10392
15,0 mm 1/2"	43,0	27,0	27,0	0,104		10393
18,0 mm 1/2"	45,0	27,0	32,0	0,106		10396
20,0 mm 1/2"	47,0	27,0	34,0	0,124		10397
20,0 mm 3/4"	48,0	32,0	34,0	0,144		10398
22,0 mm 3/4"	49,0	32,0	36,0	0,144		10399



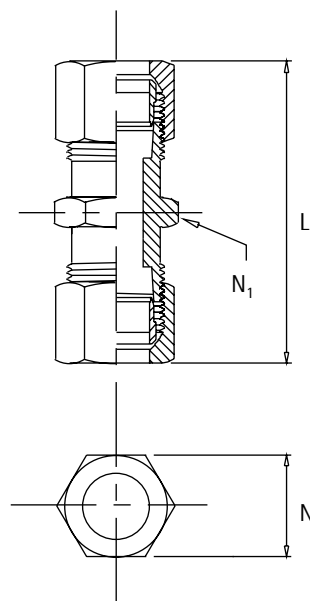
N 98 BL
*Union, male connector,
 BSP thread connection*

Dimension	L mm	N mm	N ₁ mm	Kg/pc	EN 1.4571	Articleno.
6,0 mm 1/4"	38,0	14,0	14,0	0,030		10400
8,0 mm 1/4"	38,0	17,0	17,0	0,031		11038
8,0 mm 1/2"	44,0	22,0	17,0	0,031		10440
10,0 mm 3/8"	40,0	19,0	19,0	0,070		10401
12,0 mm 3/8"	40,0	19,0	22,0	0,088		10402
12,0 mm 1/2"	45,0	22,0	22,0	0,100		10403
15,0 mm 1/4"	42,0	24,0	27,0	0,095		10404
15,0 mm 1/2"	46,0	24,0	27,0	0,104		10500
18,0 mm 1/2"	48,0	27,0	32,0	0,150		10405
22,0 mm 3/4"	50,0	32,0	36,0	0,144		10406



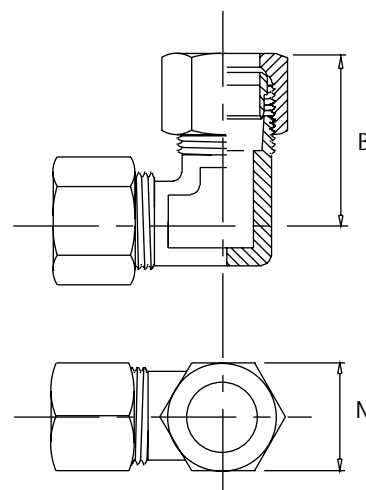
N 99
Equal union

Dimension mm	L mm	N mm	N ₁ mm	Kg/pc	EN 1.4571	Articleno.
6,0	39,0	12,0	14,0	0,040		10407
8,0	40,0	14,0	17,0	0,049		10408
10,0	42,0	17,0	19,0	0,074		10409
10,2	42,0	17,0	19,0	0,094		10410
12,0	43,0	19,0	22,0	0,132		10411
15,0	46,0	24,0	27,0	0,142		10413
18,0	48,0	27,0	32,0	0,220		10415
20,0	50,0	29,0	34,0	0,200		10416
22,0	52,0	32,0	36,0	0,220		10417



N 109
Elbow union

Dimension mm	B mm	N mm	Kg/pc	EN 1.4571	Articleno.
6,0	27,0	14,0	0,050		10418
8,0	29,0	17,0	0,070		10419
10,0	30,0	19,0	0,100		10420
10,2	30,0	19,0	0,100		10421
12,0	32,0	22,0	0,170		10422
15,0	36,0	27,0	0,205		10424
18,0	40,0	32,0	0,310		10426
20,0	42,0	34,0	0,320		10427
22,0	44,0	36,0	0,330		10428



N 110
T-union

Dimension mm	L mm	B mm	N mm	Kg/pc	EN 1.4571	Articleno.
6,0	54,0	27,0	14,0	0,050		10429
8,0	58,0	29,0	17,0	0,075		10430
10,0	60,0	30,0	19,0	0,110		10431
10,2	60,0	30,0	19,0	0,110		10432
12,0	64,0	32,0	22,0	0,190		10433
15,0	72,0	36,0	27,0	0,225		10435
18,0	80,0	40,0	32,0	0,320		10437
20,0	84,0	42,0	34,0	0,330		10438
22,0	88,0	44,0	36,0	0,350		10439

