

Hygienic fittings

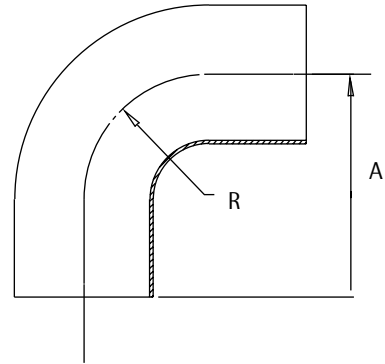
Stainless and acid proof

Standard sizes: Outside polished

Measurement: All measurement are guidelines

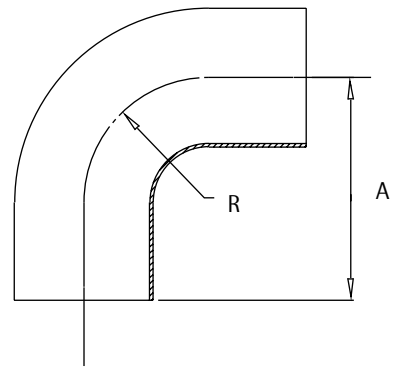
Hygienic fittings, BS 4825, part 2, imperial
 Welded elbows, Stainless and acid proof
 Long type 1,5 x D,
 90° bends, polished and unpolished O.D.

Dimension mm	A mm	R mm	Kg/pc	AISI 304L polished Articleno.	316L polished Articleno.
25,4 x 1,60	65,0	38,1	0,110	26474	26476
38,1 x 1,60	85,0	57,15	0,210	26478	26480
50,8 x 1,60	110,0	76,2	0,360	26482	26483
63,5 x 1,60	135,0	95,25	0,550	26485	26487
76,1 x 1,60	155,0	114,3	0,780	26489	26491
101,6 x 2,00	195,0	152,4	1,600	26470	26472



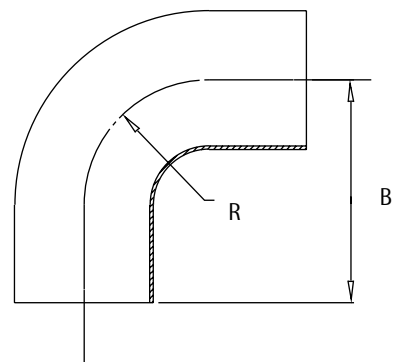
Hygienic fittings, BS 4825, part 2, imperial
 Welded elbows, Stainless and acid proof
 Long type 1,5 x D,
 90° bends, polished and unpolished O.D.

Dimension mm	A mm	R mm	Kg/pc	AISI 304L unpolished Articleno.	316L unpolished Articleno.
25,4 x 1,60	65,0	38,1	0,110	26475	26477
38,1 x 1,60	85,0	57,15	0,210	26479	26481
50,8 x 1,60	110,0	76,2	0,360	26413	26484
63,5 x 1,60	135,0	95,25	0,550	26486	26488
76,1 x 1,60	155,0	114,3	0,780	26490	26492
101,6 x 2,00	195,0	152,4	1,600	26471	26473



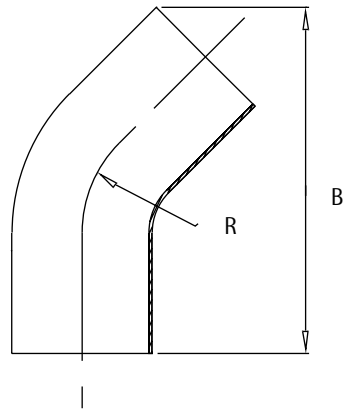
*N 130 - 90: Hygienic fittings
Welded elbows,
Stainless and acid proof
DS 90°, polished*

Dimension mm	B mm	R mm	Kg/pc	AISI	304	316L
				Articleno.	Articleno.	Articleno.
25,0 x 1,2	55,0	25,0	0,060		25000	25001
32,0 x 1,2	64,0	32,0	0,070		25002	25003
38,0 x 1,2	70,0	38,0	0,142		25004	25005
51,0 x 1,2	82,0	51,0	0,186		25006	25007
63,5 x 1,6	105,0	64,0	0,410		25008	25009
76,1 x 2,0	110,0	76,0	0,640		25010	25011
101,6 x 2,0	150,0	150,0	1,150		25012	25013



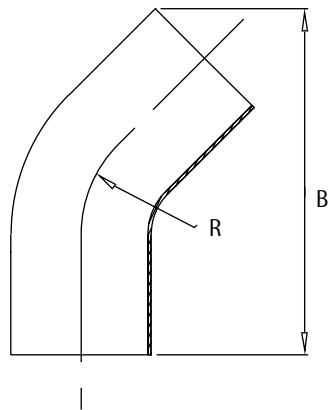
*Hygienic fittings, Imperial
Welded elbows,
Stainless and acid proof
45° bends, polished and unpolished O.D.*

Dimension	B mm	R mm	Kg/pc	AISI	316L unpolished	316L polished
				Articleno.	Articleno.	
25,4 x 1,60	60,0	37,5	0,070		26437	26781
38,1 x 1,60	75,0	57,0	0,150		26439	26782
50,8 x 1,60	120,0	76,5	0,230		26441	26783
63,5 x 1,60	150,0	95,3	0,400		26443	26784
76,1 x 1,60	190,0	114,2	0,600		26445	26785
101,6 x 2,00	240,0	152,8	1,100		26435	26780



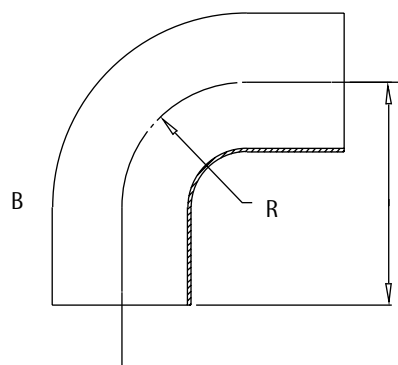
*N 130 - 45: Hygienic fittings
Welded elbows,
Stainless and acid proof
DS 45°, polished*

Dimension mm	B mm	R mm	Kg/pc	AISI	304	316L
				Articleno.	Articleno.	
25,0 x 1,2	70,0	25,0	0,070		25014	25015
38,0 x 1,2	87,0	38,0	0,131		25016	25017
51,0 x 1,2	119,5	51,0	0,200		25018	25019
63,5 x 1,6	136,0	64,0	0,380		25020	25021
76,1 x 2,0	157,0	76,0	0,615		25022	25023
101,6 x 2,0	226,5	150,0	1,100		25024	25025



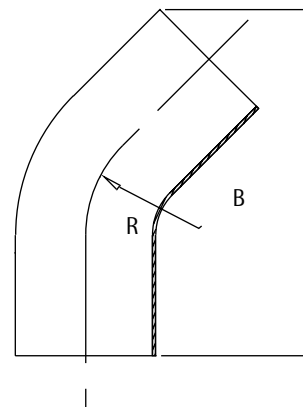
*N 130 - 90 LR: Hygienic fittings
Welded elbows,
Stainless and acid proof
ISO, 90°, long, polished*

Dimension mm	B mm	R mm	Kg/pc	AISI 304	316L
				Articlono.	Articlono.
25,0 x 1,2	65,0	37,5	0,076	18275	18285
38,0 x 1,2	85,0	57,0	0,152	18276	18286
51,0 x 1,2	110,0	76,5	0,268	18277	18287
63,5 x 1,6	135,0	95,3	0,308	18278	18288
76,1 x 1,6	155,0	114,2	0,526	18279	18289
101,6 x 2,0	195,0	152,5	1,036	18280	18290



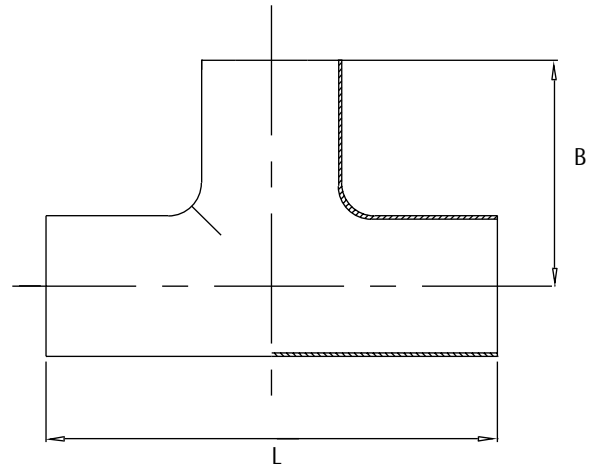
*N 130 - 45 LR: Hygienic fittings
Welded elbows,
Stainless and acid proof
ISO, 45°, long, polished*

Dimension mm	B mm	R mm	Kg/pc	AISI 304 acid proof	316L
				Articlono.	Articlono.
25,0 x 1,2	70,0	25,0	0,050	18295	18305
38,0 x 1,2	87,0	38,0	0,090	18296	18306
51,0 x 1,2	119,5	51,0	0,186	18297	18307
63,5 x 1,6	136,0	64,0	0,308	18298	18308
76,1 x 1,6	157,0	76,0	0,526	18299	18309
101,6 x 2,0	226,5	150,0	1,036	18300	18310



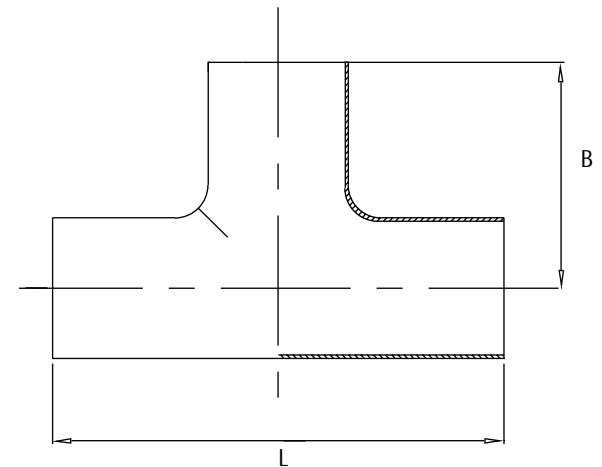
*Hygienic fittings, BS 4825, Pt 2, Imperial
Welded equal T-pcs.,
Stainless and acid proof
Polished and unpolished O.D.*

Dimension mm	L mm	B mm	Kg/pc	AISI	316L unpolished	316L polished
					Articleno.	Articleno.
25,4 x 1,6	88,0	44,0	0,070		26500	26499
38,1 x 1,6	128,0	64,0	0,250		26504	26503
50,8 x 1,6	178,0	89,0	0,400		26510	26509
63,5 x 1,6	228,0	114,0	0,680		26516	26515
76,1 x 1,6	268,0	134,0	1,020		26522	26521
101,6 x 2,0	348,0	174,0	2,200		26495	26495



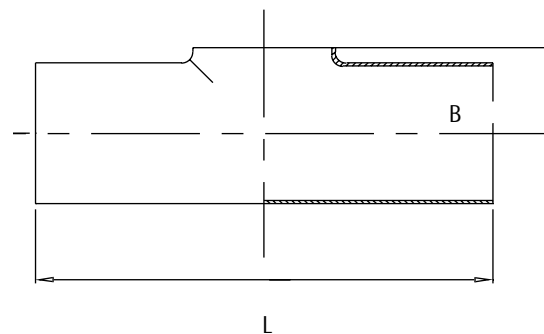
*N 131: Hygienic fittings
Welded equal T-pcs.,
Stainless and acid proof, polished, DS*

Dimension mm	L mm	B mm	Kg/pc	AISI	304	316L
					Articleno.	Articleno.
25,0 x 1,2	110,0	55,0	0,120		25026	25027
32,0 x 1,2	128,0	64,0	0,170		25028	813000
38,0 x 1,2	140,0	70,0	0,220		25030	25029
51,0 x 1,2	164,0	82,0	0,340		25032	25031
63,5 x 1,6	210,0	105,0	0,655		25034	25033
76,1 x 2,0	220,0	110,0	1,090		25036	25035
101,6 x 2,0	300,0	150,0	1,950		25038	25037



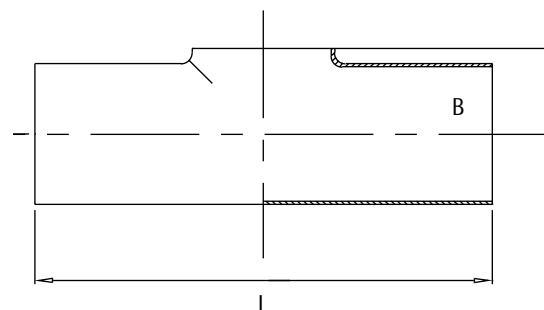
*Hygienic fittings, BS 4825 Pt 2, Imperial
Welded T-pcs., short type,
Stainless and acid proof
Polished and unpolished O.D.*

Dimension mm	L mm	B mm	Kg/pc	AISI	316L	316L
				Articlno.	unpolished	polished
25,4 x 1,6	88,0	14,0	0,060		26528	26527
38,1 x 1,6	128,0	22,0	0,250		26530	26529
50,8 x 1,6	178,0	29,0	0,400		26532	26531
63,5 x 1,6	228,0	35,0	0,700		26534	26533
76,1 x 1,6	268,0	41,0	0,920		26536	26535
101,6 x 2,0	348,0	55,0	1,250		26526	26525



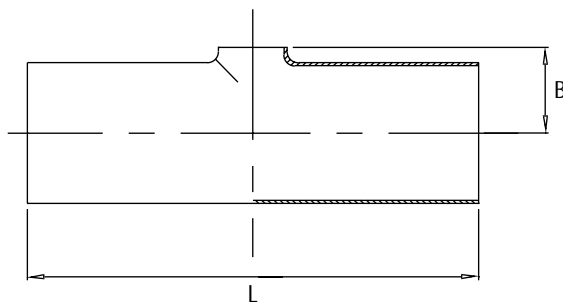
*N 131 K: Hygienic fittings
Welded T-pcs., short type
Stainless and acid proof, polished, ISO*

Dimension mm	L mm	B mm	Kg/pc	AISI	304	316L
				Articlno.	Articlno.	Articlno.
25,0 x 1,2	110,0	14,5	0,090		25040	25041
32,0 x 1,25	128,0	19,0	0,070		813000	22062
38,0 x 1,2	140,0	21,5	0,160		25042	25043
51,0 x 1,2	164,0	29,0	0,260		25044	25045
63,5 x 1,6	210,0	35,0	0,490		25046	25047
76,1 x 2,0	220,0	43,0	0,830		25048	25049
101,6 x 2,0	300,0	56,0	1,480		25050	25051



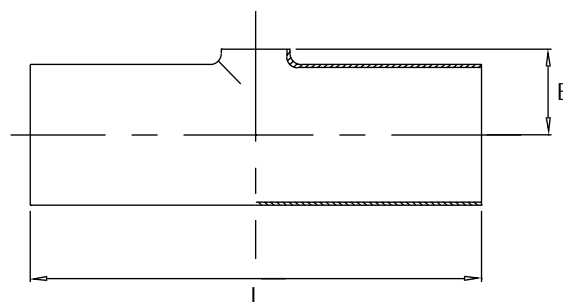
*Hygienic fittings, BS 4825 Pt 2, Imperial
Welded reducing T-pcs., short type,
Stainless and acid proof
Polished and unpolished O.D.*

Dimension mm	L mm	B mm	Kg/pc	AISI	316L unpolished	316L polished
					Articleno.	Articleno.
38,1 x 25,4 x 1,6	128,0	22,0	0,280		26538	26537
50,8 x 25,4 x 1,6	178,0	29,0	0,470		26540	26539
50,8 x 38,1 x 1,6	178,0	29,0	0,470		26542	26541
63,5 x 25,4 x 1,6	228,0	35,0	0,760		26544	26543
63,5 x 38,1 x 1,6	228,0	35,0	0,760		26546	26545
63,5 x 50,8 x 1,6	228,0	35,0	0,760		26548	26547
76,1 x 25,4 x 1,6	268,0	41,0	0,980		26550	26549
76,1 x 38,1 x 1,6	268,0	41,0	0,980		26553	26552
76,1 x 50,8 x 1,6	268,0	41,0	0,980		26555	26554
76,1 x 63,5 x 1,6	268,0	41,0	0,980		26568	26567
101,6 x 38,1 x 2,0	348,0	55,0	1,850		26506	26505
101,6 x 50,8 x 2,0	348,0	55,0	1,850		26512	26511
101,6 x 63,5 x 2,0	348,0	55,0	1,850		26518	26517
101,6 x 76,1 x 2,0	348,0	55,0	1,850		26524	26523



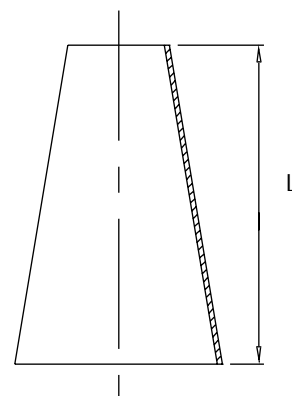
*N 131 KR: Hygienic fittings
Welded T-pcs. with short branch,
Acid proof, polished*

Dimension mm	L mm	B mm	Kg/pc	AISI	316L
					Articleno.
38,0 x 25,0 x 1,2	140,0	22,0	0,160		25052
51,0 x 25,0 x 1,2	164,0	29,0	0,260		25053
51,0 x 38,0 x 1,2	164,0	29,0	0,260		25054
63,5 x 25,0 x 1,6	210,0	35,0	0,490		25055
63,5 x 38,0 x 1,6	210,0	36,0	0,490		25056
63,5 x 51,0 x 1,6	210,0	35,0	0,830		25057
76,1 x 38,0 x 2,0	220,0	43,0	0,830		25058
76,1 x 51,0 x 2,0	220,0	43,0	0,830		25059
76,1 x 63,5 x 2,0	220,0	43,0	0,830		25060
101,6 x 51,0 x 2,0	300,0	56,0	1,480		25061
101,6 x 63,5 x 2,0	300,0	56,0	1,480		25062
101,6 x 76,1 x 2,0	300,0	56,0	1,480		25063



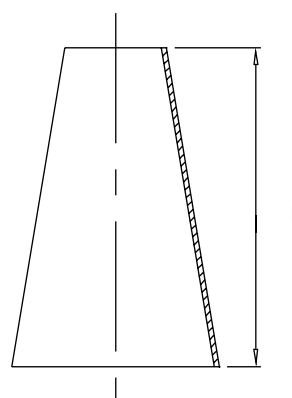
*Hygienic fittings, Imperial
Welded concentric reducers,
Acid proof
Polished and unpolished O.D.*

Dimension mm	L	Kg/pc	AISI	316L unpolished	316L polished
			Articleno.	Articleno.	
38,1 x 25,4 x 1,6	28,0	0,050		26590	26589
50,8 x 25,4 x 1,6	53,0	0,100		26594	26593
50,8 x 38,1 x 1,6	38,0	0,100		26596	26595
63,5 x 25,4 x 1,6	80,0	0,100			26597
63,5 x 38,1 x 1,6	60,0	0,100		26599	26598
63,5 x 50,8 x 1,6	39,0	0,100		26601	26600
76,1 x 25,4 x 1,6	103,0	0,150		26603	26602
76,1 x 38,1 x 1,6	81,0	0,150		26605	26604
76,1 x 50,8 x 1,6	54,0	0,150		26607	26606
76,1 x 63,5 x 1,6	40,0	0,150		26609	26608
101,6 x 38,1 x 2,0	103,0	0,210		26571	26570
101,6 x 50,8 x 2,0	107,0	0,200		26573	26572
101,6 x 63,5 x 2,0	78,0	0,200		26575	26574
101,6 x 76,1 x 2,0	53,0	0,200		26577	26576



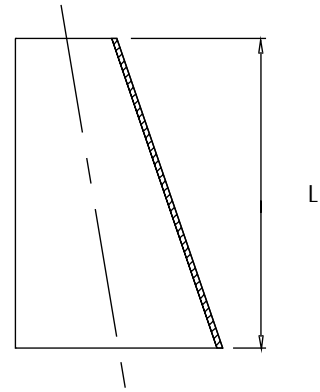
*N 132: Hygienic fittings
Welded concentric reducers,
Acid proof, polished
ISO*

Dimension mm	L mm	Kg/pc	AISI	316L
			Articleno.	
38,0 x 25,0 x 1,2	44,0	0,05		25069
51,0 x 25,0 x 1,2	86,0	0,10		25070
51,0 x 38,0 x 1,2	42,0	0,07		25071
63,5 x 38,0 x 1,2	82,0	0,12		25072
63,5 x 51,0 x 1,2	40,0	0,08		25073
76,1 x 51,0 x 1,2	79,0	0,21		25074
76,1 x 63,5 x 1,6	39,0	0,11		25075
101,6 x 63,5 x 2,0	120,0	0,40		27727
101,6 x 76,1 x 2,0	81,0	0,35		25076



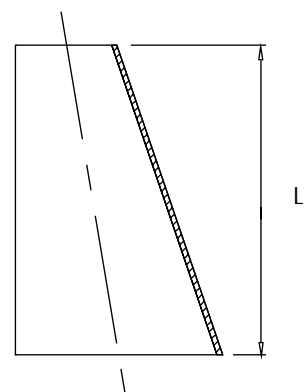
*Hygienic fittings, Imperial
Welded eccentric reducers,
Acid proof, polsihed and unpolished O.D.*

Dimension mm	L	Kg/pc	AISI	316L	316L
			Articleno.	unpolished	polsihed
38,1 x 25,4 x 1,6	36,0	0,050		26627	26626
50,8 x 25,4 x 1,6	55,0	0,100		26631	26630
50,8 x 38,1 x 1,6	34,0	0,100		26633	26632
63,5x 25,4 x 1,6	76,0	0,100		26635	26634
63,5x 38,1 x 1,6	66,0	0,100		26637	26636
63,5x 50,8 x 1,6	34,0	0,100		26639	26638
76,1 x 25,4 x 1,6	103,0	0,150		26641	26640
76,1 x 38,1 x 1,6	76,0	0,150		26643	26642
76,1 x 50,8 x 1,6	66,0	0,150		26645	26644
76,1 x 63,5 x 1,6	42,0	0,150		26647	26646
101,6 x 38,1 x 2,0	129,0	0,210		26612	26611
101,6 x 50,8 x 2,0	100,0	0,200		26614	26613
101,6 x 63,5 x 2,0	73,0	0,200		26616	26615
101,6 x 76,1 x 2,0	72,0	0,200		26618	26617



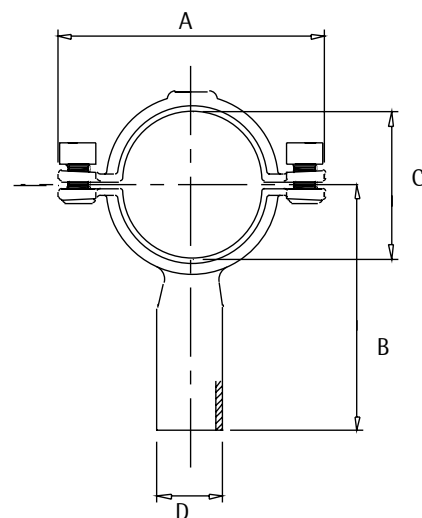
*N 132 EX: Hygienic fittings
Welded eccentric reducers,
Acid proof, polished
ISO*

Dimension mm	L mm	Kg/pc	AISI	316L
			Articleno.	
38,0 x 25,0 x 1,2	44,0	0,050		25077
51,0 x 25,0 x 1,2	86,0	0,100		25078
51,0 x 38,0 x 1,2	42,0	0,070		25079
63,5 x 38,0 x 1,2	82,0	0,120		25080
63,5 x 51,0 x 1,2	40,0	0,080		25081
76,1 x 51,0 x 1,2	79,0	0,210		25082
76,1 x 63,5 x 1,5	39,0	0,110		25083
101,6 x 76,1 x 2,0	81,0	0,350		25084



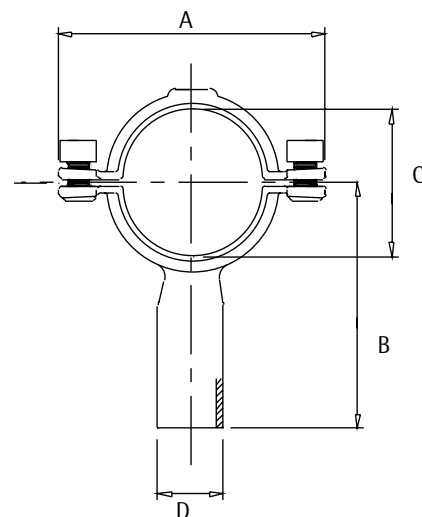
N 134: Hygienic fittings
Pipe clip with blue insert
Stainless

Dimension mm	B mm	A mm	C mm	D mm	Kg/pc	AISI 304	Articleno.
25,0	90,0	83,0	30,0	19,0	0,210		26670
38,0	90,0	91,0	40,0	19,0	0,250		26673
51,0	90,0	112,0	56,0	19,0	0,260		26676
63,5	90,0	126,0	68,0	19,0	0,290		26679
76,1	90,0	160,0	84,0	19,0	0,280		26681
101,6	90,0	160,0	104,0	19,0	0,340		26683



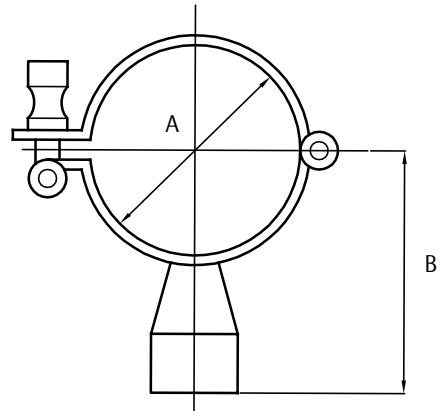
N 134: Hygienic fittings
Clip with welded shaft,
Stainless

Dimension mm	B mm	A mm	C mm	D mm	Kg/pc	AISI 304	Articleno.
25,0	90,0	78,0	27,0	21,3	0,260		25085
38,0	90,0	91,0	40,0	21,3	0,280		25086
51,0	90,0	104,0	53,0	21,3	0,300		25087
63,5	90,0	116,0	65,5	21,3	0,320		25088
76,1	90,0	129,0	78,0	21,3	0,340		25089
101,6	90,0	155,0	104,0	21,3	0,380		25090
25,0	150,0	78,0	27,0	21,3	0,260		25091
38,0	150,0	91,0	40,0	21,3	0,300		25092
51,0	150,0	104,0	53,0	21,3	0,300		25093
63,5	150,0	116,0	65,5	21,3	0,320		25094
76,1	150,0	129,0	78,0	21,3	0,340		25095
101,6	150,0	155,0	104,0	21,3	0,380		25096



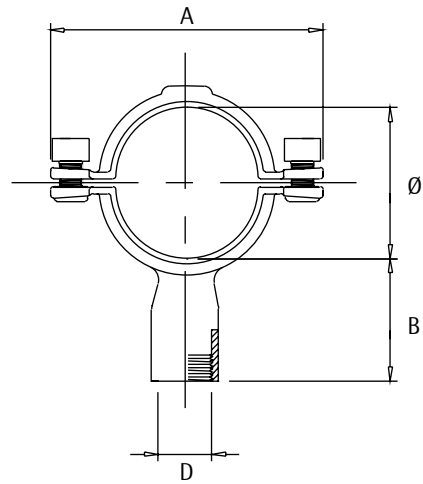
*N 134: Hygienic fittings, Imperial
Pipe clips hinge type with 1/2" BSP socket,
Stainless*

Dimension mm	B mm	A mm	Kg/pc	AISI 304
Articleno.				
1"	0,45	25,4	0,160	26687
1½"	0,53	38,1	0,160	26688
2"	0,60	50,8	0,170	26689
2½"	0,65	63,5	0,180	26690
3"	0,72	76,1	0,180	26691
4"	0,85	101,6	0,180	26692



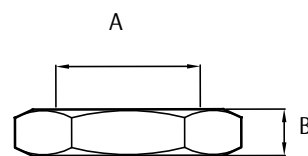
*N 134 - 1/2" Hygienic fittings
Clip with 1/2" threaded socket,
Stainless*

Dimension mm	B mm	A mm	Ø mm	D mm	Kg/pc	AISI 304
Articleno.						
25,0	45,0	78,0	27,0	21,3	0,170	25097
38,0	45,0	91,0	40,0	21,3	0,190	25098
51,0	45,0	104,0	53,0	21,3	0,220	25099
63,5	45,0	116,0	65,5	21,3	0,270	25100
76,1	45,0	129,0	78,0	21,3	0,300	25101
101,6	45,0	155,0	104,0	21,3	0,350	25102



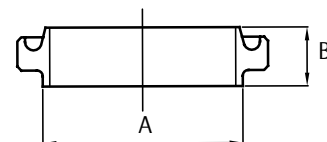
Hygienic fittings, BS 4825 Pt 5, Imperial
Nut, 304, stainless
RJT

Dimension IMP	A mm	B mm	Kg/pc	Articleno.
1"	25,4	22,0	0,120	26373
1 1/2"	38,1	22,0	0,180	26410
2"	50,8	22,0	0,270	26411
2 1/2"	63,5	22,0	0,330	26194
3"	76,1	22,0	0,390	26195
4"	101,6	22,0	0,500	26196



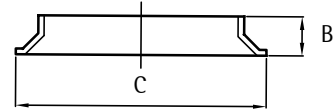
Hygienic fittings, BS 4825 Pt 5, Imperial
Male, 316, acid proof
RJT

Dimension mm	IMP	A mm	B mm	Kg/pc	AISI 316
25,4	1"	25,4	26,0	0,120	26215
38,1	1 1/2"	38,1	26,0	0,170	26216
50,8	2"	50,8	26,0	0,220	26217
63,5	2 1/2"	63,5	26,0	0,280	26218
76,1	3"	76,1	26,0	0,330	26219
101,6	4"	101,6	32,0	0,450	26220



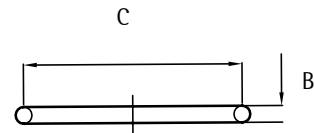
Hygienic fittings, BS 4825 Pt 5, Imperial
 Liner, 316, acid proof
 RJT

Dimension IMP	B mm	C mm	Kg/pc	AISI 316
				Articleno.
1"	10,0	41,0	0,030	26197
1 1/2"	11,5	54,0	0,040	26198
2"	11,5	68,0	0,050	26199
2 1/2"	12,5	79,0	0,070	26200
3"	13,0	92,0	0,080	26201
4"	14,5	117,0	0,100	26202



Hygienic fittings, BS 4825 Pt 5, Imperial
 Seal nitrile or EPDM
 RJT

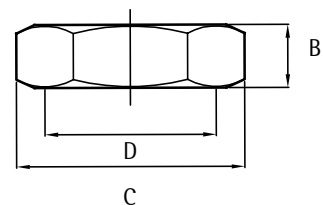
Dimension IMP	B mm	C mm	Kg/pc	EPDM	Nitrile
				Articleno.	Articleno.
1"	6,6	33,3	0,010	26209	26203
1 1/2"	6,6	46,0	0,010	26210	26204
2"	6,6	58,7	0,010	26211	26205
2 1/2"	6,6	71,4	0,010	26212	26206
3"	6,6	84,1	0,010	26213	26207
4"	6,6	109,5	0,010	26214	26208



Also available on request in Viton

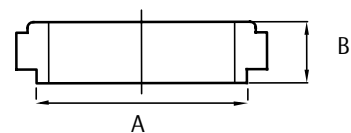
Hygienic fittings, BS 4825 Pt 4, Imperial
Nut, 304, stainless
IDF

Dimension mm	Nom size IMP	B mm	C mm	D mm	Kg/pc	AISI 304
Articleno.						
25,4	1"	30,0	54,0	46,0	0,130	26245
38,1	1 1/2"	30,0	69,0	60,0	0,200	26246
50,8	2"	30,0	87,0	76,0	0,280	26247
63,5	2 1/2"	30,0	104,0	91,0	0,340	26248
76,1	3"	30,0	120,0	106,0	0,410	26249
101,6	4"	35,0	152,0	133,0	0,500	26250



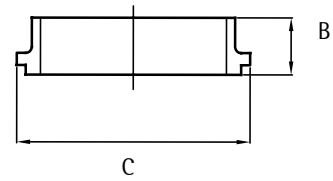
Hygienic fittings, BS 4825 Pt 4, Imperial
Male, acid proof
IDF

Dimension mm	Nom size IMP	A mm	B mm	Kg/pc	AISI 316
Articleno.					
25,4	1"	25,4	21,0	0,080	26275
38,1	1 1/2"	38,1	21,0	0,120	26276
50,8	2"	50,8	21,0	0,160	26277
63,5	2 1/2"	63,5	21,0	0,210	26278
76,1	3"	76,1	21,0	0,260	26279
101,6	4"	101,6	30,0	0,680	26280



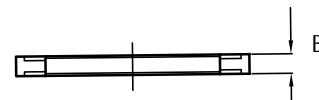
Hygienic fittings, BS 4825 Pt 4, Imperial
Liner, acid proof
IDF

Dimension IMP	B mm	C mm	Kg/pc	AISI 316
				Articleno.
1"	21,0	34,0	0,070	26251
1 1/2"	21,0	47,0	0,070	26252
2"	21,0	60,0	0,080	26253
2 1/2"	21,0	74,0	0,110	26254
3"	21,0	87,0	0,140	26255
4"	30,0	121,0	0,330	26256



Hygienic fittings, BS 4825 Pt 4, Imperial
Seal nitrile or EPDM
IDF

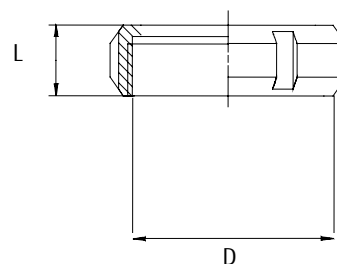
Dimension mm	Nom size IMP	B mm	Kg/pc	EPDM	Nitrile
				Articleno.	Articleno.
25,4	1"	7,0	0,010	26263	26257
38,1	1 1/2"	7,0	0,010	26264	26258
50,8	2"	7,0	0,010	26265	26259
63,5	2 1/2"	7,0	0,010	26266	26260
76,1	3"	7,0	0,010	26267	26261
101,6	4"	7,0	0,030	26268	26262



Also available on request in Viton

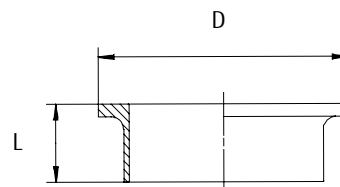
N 135 OL: Hygienic fittings
Nut 304, SMS,
Stainless

Dimension mm	L mm	D mm	Kg/pc	AISI 304	Articleno.
25,0	19,0	51,0	0,115		26296
38,0	25,0	74,0	0,257		26297
51,0	26,0	84,0	0,280		26298
63,5	30,0	99,0	0,430		26299
76,1	32,0	112,0	0,585		26300
101,6	32,0	150,0	1,650		26301



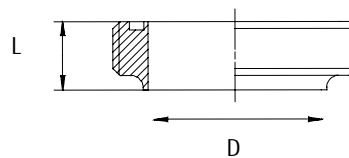
N 135 SKL: Hygienic fittings
Liner, SMS,
Acid Proof

Dimension m/m	L mm	D mm	Kg/pc	AISI 316	Articleno.
25,0	17,0	35,5	0,031		26302
38,0	20,0	55,0	0,076		26303
51,0	20,0	65,0	0,086		26304
63,5	25,0	80,0	0,153		26305
76,1	30,0	93,0	0,220		26306
101,6	30,0	129,0	0,420		26307



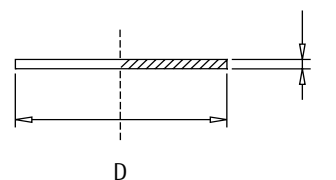
N 135 SN: Hygienic fittings
Male, SMS,
Acid proof

Dimension mm	L mm	D mm	Kg/pc	AISI 316	Articleno.
25,4	15	25,4	0,060		26320
38,0	23	38,1	0,160		26321
51,0	25	50,0	0,180		26322
63,5	30	63,5	0,340		26323
76,1	35	76,1	0,450		26324
101,6	35	101,6	1,320		26325



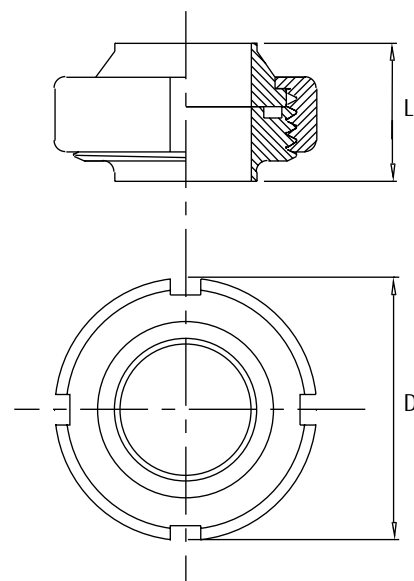
N 135 BS: Hygienic fittings
EPDM seal, SMS

Dimension mm	L mm	D mm	Kg/pc	EPDM	Articleno.
25,0	3,0	32,0	0,024		26314
38,0	4,0	48,0	0,074		26315
51,0	4,0	61,0	0,104		26316
63,5	4,0	74,0	0,158		26317
76,1	5,0	86,0	0,266		26318
101,6	6,0	113,5	0,594		26319



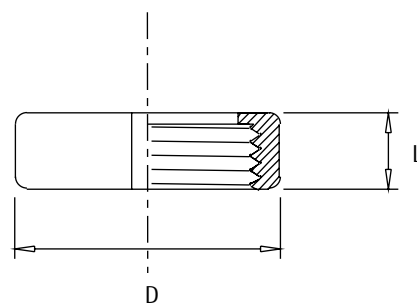
*N 133: Hygienic fittings
Welded union DS, complete
Acid proof*

Dimension mm	L mm	D mm	Kg/pc	Articleno.
25,0	36,0	57,0	0,352	25115
38,0	37,0	71,0	0,503	25116
51,0	37,0	86,0	0,724	25117
63,5	45,0	103,0	1,089	25118
76,1	45,0	115,0	1,376	25119
101,6	47,0	150,0	1,975	25534



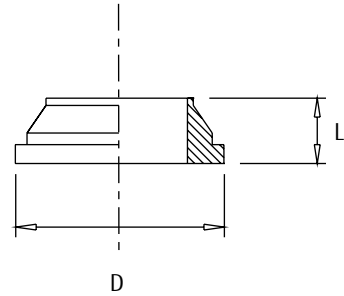
*N 133 OL: Hygienic fittings
Nut, DS,
Stainless*

Dimension m/m	L mm	D mm	Kg/pc	AISI 304
25,0	20,0	57,0	0,170	18355
38,0	20,0	71,0	0,220	18356
51,0	22,0	86,0	0,320	18357
63,5	24,0	103,0	0,460	18358
76,1	25,0	115,0	0,510	18359
101,6	28,0	150,0	1,100	18360



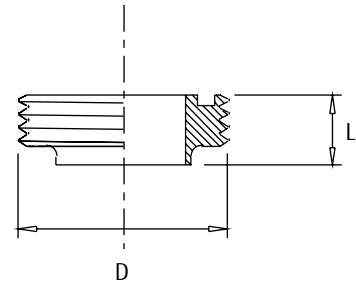
*N 133 SK: Hygienic fittings
Liner, DS,
Acid proof*

Dimension m/m	L mm	D mm	Kg/pc	AISI 316	Articleno.
25,0	16,0	40,0	0,056		18375
38,0	16,0	54,0	0,085		18376
51,0	16,0	68,0	0,120		18377
63,5	19,0	84,0	0,200		18378
76,1	19,0	96,0	0,250		18379
101,6	21,0	124,0	0,510		18380



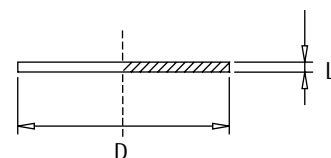
*N 133 SN: Hygienic fittings
Male, DS,
Acid proof*

Dimension mm	L mm	D mm	Kg/pc	AISI 316	Articleno.
25,0	18,5	44,0	0,095		18365
38,0	20,0	58,0	0,140		18366
51,0	20,0	72,0	0,210		18367
63,5	24,0	88,0	0,350		18368
76,1	24,0	100,0	0,430		18369
101,6	24,0	130,0	0,780		18370



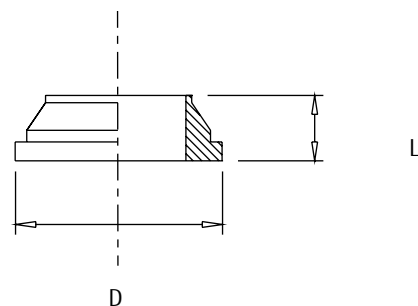
N 133 NBR: Hygienic fittings
Union part, DS,
Seal ring, NBR

Dimension mm	L mm	D mm	Kg/pc	NBR
				Articleno.
25,0	3,0	40,0	0,003	18345
38,0	3,0	54,0	0,004	18346
51,0	3,0	68,0	0,005	18347
63,5	4,0	84,0	0,008	18348
76,1	4,0	96,0	0,011	18349
101,6	4,0	124,0	0,013	18350



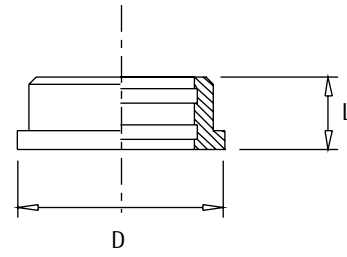
N 133: Hygienic fittings
Expanding union DS, complete
Stainless

Dimension mm	L mm	D mm	Kg/pc	AISI 304
				Articleno.
25,0	36,5	57,0	0,352	25120
38,0	40,5	71,0	0,503	25121
51,0	44,5	86,0	0,724	25122
63,5	48,5	103,0	1,089	25123
76,1	52,5	115,0	1,376	25124



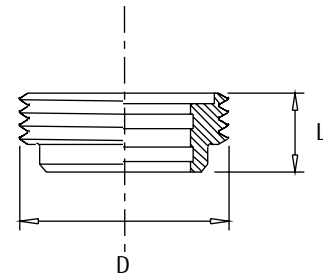
N 133 VK: Hygienic fittings
Liner, DS,
Stainless

Dimension mm	L mm	D mm	Kg/pc	AISI 304	Articleno.
25,0	16,0	40,0	0,056		18412
38,0	18,0	54,0	0,090		18413
51,0	20,0	68,0	0,148		18414
63,5	22,0	84,0	0,232		18415
76,1	24,0	96,0	0,284		18416
101,6	29,0	123,0	0,530		18417



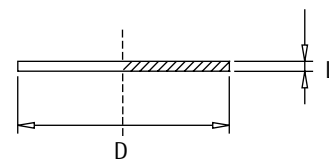
N 133 VN: Hygienic fittings
Male, DS,
Stainless

Dimension mm	L mm	D mm	Kg/pc	AISI 304	Articleno.
25,0	20,0	44,0	0,100		18418
38,0	22,0	58,0	0,156		18419
51,0	24,0	72,0	0,240		18420
63,5	26,0	88,0	0,364		18421
76,1	28,0	100,0	0,438		18422
101,6	34,0	130,0	0,810		18423



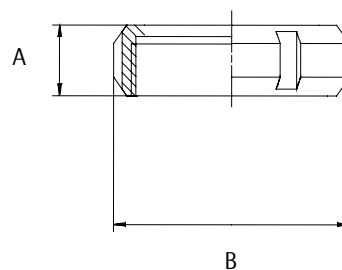
Hygienic fittings
Seal, DIN,
EPDM

Dimension mm	L mm	D mm	Kg/pc	EPDM
				Articleno.
25,0	5,0	40,0	0,030	26422
38,0	5,0	52,0	0,052	26355
51,0	5,0	64,0	0,084	26356
63,5	5,0	81,0	0,104	26357
76,1	5,0	94,0	0,230	26358
101,6	5,0	114,0	0,376	26359



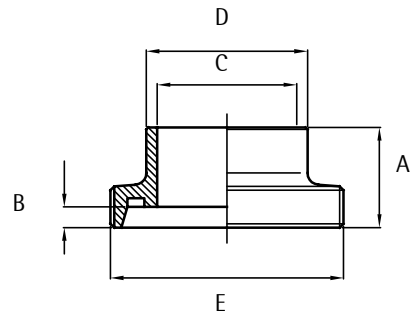
Hygienic fittings, Imperial
Nut, 304, stainless
DIN 11851

Nom size mm	A mm	B mm	Kg/pc	AISI 304
				Articleno.
1"	21,0	63,0	0,120	26337
1 1/2"	21,0	78,0	0,180	26338
2"	22,0	92,0	0,270	26339
2 1/2"	25,0	112,0	0,330	26340
3"	30,0	127,0	0,390	26341
4"	31,0	148,0	0,500	26342



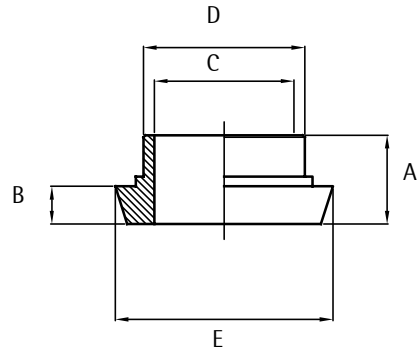
*Hygienic fittings, Imperial
Male, DIN 11851,
Acid proof*

Nom size mm	A mm	B mm	C mm	D mm	E mm	Kg/pc	AISI 316
Articleno.							
1"	29,0	7,0	22,9	31,0	52,0	0,120	26366
1 1/2"	33,0	7,0	35,1	43,0	65,0	0,170	26367
2"	35,0	7,0	47,8	55,0	78,0	0,220	26368
2 1/2"	40,0	8,0	60,5	72,0	95,0	0,280	26369
3"	40,0	8,0	72,1	79,0	104,0	0,330	26370
4"	54,0	10,0	97,6	106,0	130,0	0,450	26371



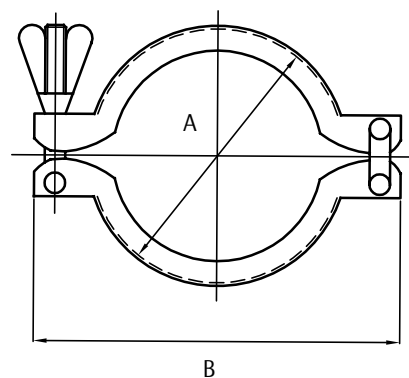
*Hygienic fittings, Imperial
Liner, DIN 11851,
Acid proof*

Nom size mm	A mm	B mm	C mm	D mm	E mm	Kg/pc	AISI 316
Articleno.							
1"	22,0	10,0	22,9	31,0	44,0	0,070	26349
1 1/2"	26,0	10,0	35,1	43,0	56,0	0,070	26350
2"	28,0	11,0	47,8	55,0	68,0	0,080	26351
2 1/2"	32,0	12,0	60,5	72,0	86,0	0,110	26352
3"	32,0	12,0	72,1	79,0	93,0	0,140	26353
4"	44,0	15,0	97,6	106,0	120,0	0,100	26354



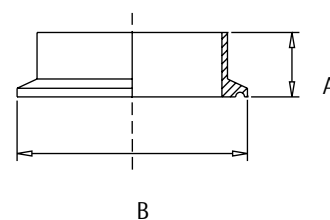
*Hygienic fittings,
Clamp Imperial,
Stainless*

Nom size mm	A mm	B mm	Kg/pc	AISI 304
				Articleno.
1"	55,0	85,00	0,080	26801
1 1/2"	55,0	85,00	0,080	26801
2"	68,0	98,00	0,100	26802
2 1/2"	81,5	112,00	0,110	26803
3"	95,0	126,00	0,130	26696
4"	122,0	155,00	0,140	26697



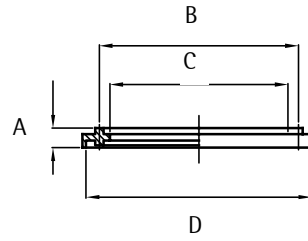
*Hygienic fittings,
Clamp Ferrule Imperial,
Acid proof*

Nom size mm	A mm	B mm	Kg/pc	AISI 316L
				Articleno.
1"	21,5	50,5	0,070	26699
1 1/2"	21,5	50,5	0,070	26700
2"	21,5	64,0	0,080	26701
2 1/2"	21,5	77,5	0,080	26702
3"	21,5	91,0	0,090	26703
4"	21,5	119,0	0,100	26704



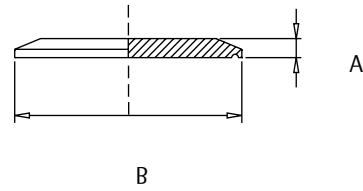
*Hygienic fittings,
Clamp Seal EPDM Imperial*

Nom size mm	A mm	B mm	C mm	D mm	Kg/pc	EPDM
Articleno.						
1"	5,5	43,5	23,1	50,5	0,010	26707
1 1/2"	5,5	43,5	35,3	50,5	0,010	26708
2"	5,5	56,5	48,0	64,0	0,010	26709
2 1/2"	5,5	70,5	60,7	77,5	0,010	26710
3"	5,5	83,5	72,3	91,0	0,010	26711
4"	5,5	110,0	97,8	119,0	0,010	26712



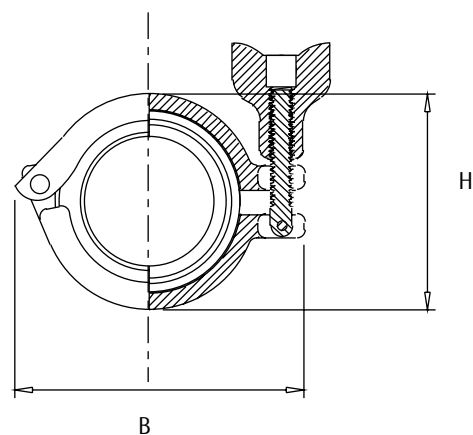
*Hygienic fittings,
Clamp Blank Imperial,
Acid proof*

Nom size mm	A mm	B mm	Kg/pc	AISI 316
Articleno.				
1"	6,3	50,5	0,020	26715
1 1/2"	6,3	50,5	0,040	26716
2"	6,3	64,0	0,040	26717
2 1/2"	6,3	77,5	0,040	26718
3"	6,3	91,0	0,050	26719
4"	6,3	119,0	0,060	26720



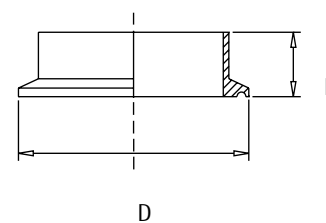
*N 136: Hygienic fittings
Clamps, ISO, complete,
Stainless*

Dimension mm	B mm	H mm	Kg/pc	Articleno.
25,0	88,9	63,5	0,296	18315
38,0	88,9	63,5	0,296	18316
51,0	101,6	76,2	0,352	18317
63,5	114,3	88,9	0,390	18318
76,1	127,0	101,6	0,432	18319
101,6	160,0	132,0	0,554	18320



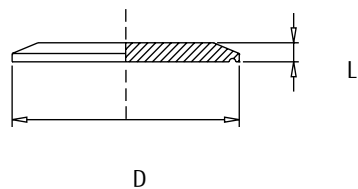
*N 136 CK: Hygienic fittings
Clamps, ISO, Ferrule,
Acid proof*

Dimension mm	L mm	D mm	Kg/pc	AISI 316L	Articleno.
25,0	21,5	50,5	0,068		18325
38,0	21,5	50,5	0,068		18326
51,0	21,5	64,0	0,052		18327
63,5	21,5	77,5	0,070		18328
76,1	21,5	91,0	0,106		18329
101,6	21,5	119,0	0,128		18330



N 136 BS: Hygienic fittings
Clamps, ISO, blank,
Acid proof

Dimension mm	L mm	D mm	Kg/pc	AISI 316L
Articleno.				
25,0	6,4	50,4	0,078	18400
38,0	6,4	50,4	0,078	18401
51,0	6,4	63,9	0,134	18402
63,5	6,4	77,4	0,200	18403
76,1	6,4	90,9	0,288	18404
101,6	6,4	118,9	0,510	18405



N 136 NBR: Hygienic fittings
Clamps, ISO
Seal ring, NBR

Dimension mm	Kg/pc	NBR
Articleno.		
25,0	0,008	18335
38,0	0,008	18336
51,0	0,008	18337
63,5	0,008	18338
76,1	0,012	18339
101,6	0,016	18340

N 137: Hygienic fittings
Spanner, Universal

Dimension mm	Kg/pc	Articleno.
25,0 - 76,0	0,310	18500
101,6	0,986	18501

