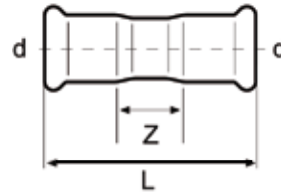


## Pressfittings

*Measurements: All measurements are guidelines*

## Coupling

WS no.	d	L	z	Kg/pc	AISI 316 L
	mm	mm	mm	mm	
Articleno.					
034965015	15,0	53	13	0,039	019180
034965018	18,0	53	13	0,043	019181
034965022	22,0	58	13	0,056	019182
034965028	28,0	62	16	0,070	019183
034965035	35,0	73	18	0,106	019184
034965042	42,0	79	18	0,146	019185
034965054	54,0	90	20	0,208	019186
034965076	76,1	142	38	0,592	019187
034965089	88,9	164	44	0,784	019188
034965108	108,0	195	44	1,194	019189



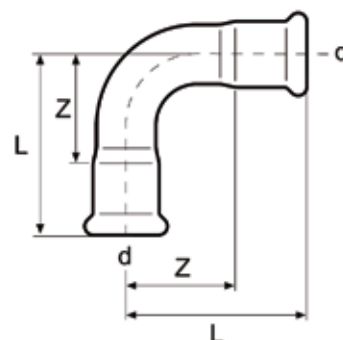
## Slip Coupling

WS no.	d	L	z	Kg/pc	AISI 316 L
	mm	mm	mm	mm	
Articleno.					
034966015	15,0	74	24	0,051	019190
034966018	18,0	78	25	0,064	019191
034966022	22,0	82	27	0,081	019192
034966028	28,0	90	28	0,112	019193
034966035	35,0	99	31	0,152	019194
034966042	42,0	114	35	0,203	019195
034966054	54,0	138	40	0,280	019196
034966076	76,1	230	60		019197
034966089	88,9	260	70		019198
034966108	108,0	310	80		019199



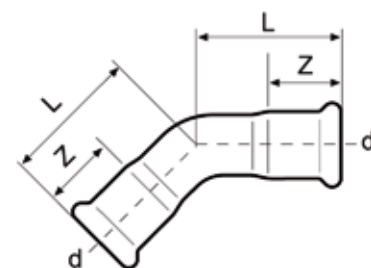
Elbow 90° - f/f

WS no.	d mm	L mm	z mm	Kg/pc	AISI 316 L
					Articleno.
034951015	15,0	48	28	0,057	019200
034951018	18,0	54	34	0,071	019201
034951022	22,0	60	38	0,096	019202
034951028	28,0	72	49	0,138	019203
034951035	35,0	88	62	0,206	019204
034951042	42,0	115	85	0,315	019205
034951054	54,0	143	108	0,479	019206
034951076	76,1	152	100	0,962	019207
034951089	88,9	175	115	1,295	019208
034951108	108,0	213	137	1,926	019209



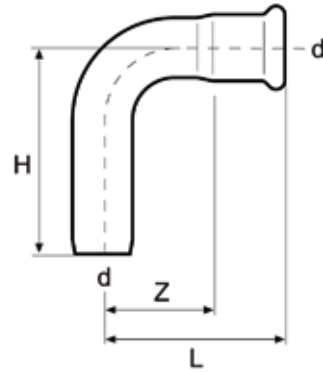
Elbow 45° - f/f

WS no.	d mm	L mm	z mm	Kg/pc	AISI 316 L
					Articleno.
034953015	15,0	36	17	0,049	019210
034953018	18,0	37	17	0,056	019211
034953022	22,0	43	21	0,086	019212
034953028	28,0	50	27	0,117	019213
034953035	35,0	58	32	0,161	019214
034953042	42,0	78	42	0,247	019215
034953054	54,0	86	50	0,342	019216
034953076	76,1	99	47	0,763	019217
034953089	88,9	113	53	1,019	019218
034953108	108,0	139	64	1,560	019219



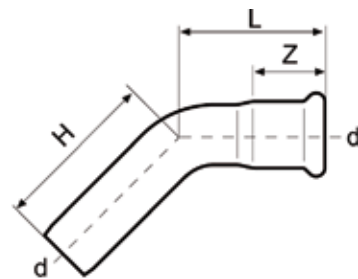
Elbow 90° - m/f

WS no.	d mm	L mm	H mm	Z mm	Kg/pc	AISI 316 L
Articleno.						
034950015	15,0	48	64	27,0	0,058	019220
034950018	18,0	54	70	34,0	0,077	019221
034950022	22,0	60	70	38,0	0,092	019222
034950028	28,0	72	78	49,0	0,152	019223
034950035	35,0	88	94	60,0	0,209	019224
034950042	42,0	115	121	85,0	0,306	019225
034950054	54,0	143	150	108,0	0,498	019226
034950076	76,1	235	250	183,0	0,979	019227
034950089	88,9	277	294	217,0	1,302	019228
034950108	108,0	344	363	268,0	1,998	019229



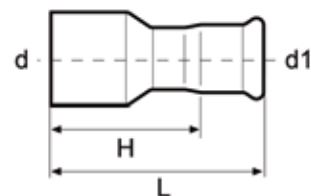
Elbow 45° - m/f

WS no.	d mm	L mm	H mm	Z mm	Kg/pc	AISI 316 L
Articleno.						
034952015	15,0	36	46	17,0	0,040	019230
034952018	18,0	37	48	17,0	0,057	019231
034952022	22,0	43	51	21,0	0,084	019232
034952028	28,0	50	57	27,0	0,117	019233
034952035	35,0	58	64	32,0	0,154	019234
034952042	42,0	78	82	42,0	0,233	019235
034952054	54,0	86	100	50,0	0,397	019236
034952076	76,1	120	136	68,0	0,766	019237
034952089	88,9	135	153	75,0	1,000	019238
034952108	108,0	160	179	84,0	1,520	019239



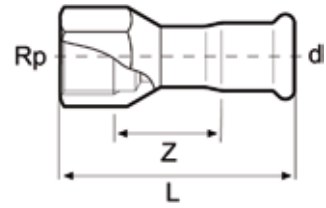
Reducer - m/f

WS no.	d - d1 mm	L mm	H mm	Kg/pc	AISI 316 L
Articleno.					
034974222	18-15	57	38	0,039	019240
034974263	22-15	60	41	0,045	019241
034974272	22-18	60	40	0,046	019242
034974324	28-15	73	54	0,057	019243
034974329	28-18	73	53	0,062	019244
034974339	28-22	68	46	0,069	019245
034974365	35-15	81	62	0,107	019246
034974366	35-18	71	51	0,109	019247
034974371	35-22	91	69	0,095	019248
034974382	35-28	75	52	0,087	019249
034974410	42-15	90	71	0,146	019250
034974411	42-18	90	70	0,152	019251
034974414	42-22	127	105	0,177	019252
034974417	42-28	100	77	0,138	019253
034974420	42-35	79	53	0,186	019254
034974433	54-15	115	96	0,224	019255
034974434	54-18	118	98	0,232	019256
034974435	54-22	125	103	0,230	019257
034974437	54-28	110	87	0,242	019258
034974440	54-35	127	101	0,224	019259
034974445	54-42	100	70	0,189	019260
034974616	76,1-54	147	112	0,454	031115
034974644	88,9-54	163	128	0,591	031196
034974648	88,9-76,1	160	108	0,660	031197
034974667	108-54	172	137	0,866	031198
034974676	108-76,1	184	132	0,948	031199
034974679	108-88,9	204	144	0,962	031200



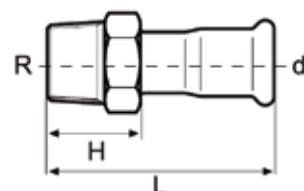
*Female adapter,  
Threaded*

WS no.	d -Rp mm	L mm	Z mm	Kg/pc	AISI 316 L
Articleno.					
034968015	15-Rp1/2	53	19	0,053	019261
034968176	15-Rp3/4	67	32	0,079	019262
034968222	18-Rp1/2	51	16	0,051	019263
034968232	18-Rp3/4	57	21	0,077	019264
034968263	22-Rp1/2	52	15	0,073	019265
034968022	22-Rp3/4	56	18	0,077	019266
034968291	22-Rp1	71	30	0,162	019267
034968339	28-Rp3/4	73	34	0,105	019268
034968028	28-Rp1	61	19	0,104	019269
034968354	28-Rp1 1/4	80	36	0,174	019270
034968382	35-Rp1	81	36	0,190	019271
034968035	35-Rp1 1/4	71	24	0,176	019272
034968390	35-Rp1 1/2	83	36	0,260	019273
034968420	42-Rp1 1/4	94	43	0,226	019274
034968042	42-Rp1 1/2	73	22	0,257	019275
034968433	54-Rp1 1/2	104	48	0,378	019276
	54-Rp2	85	24	0,351	824000



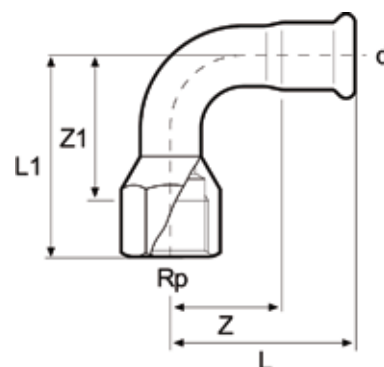
Male adapter,  
Threaded

WS no.	d -R mm	L mm	H mm	Kg/pc	AISI 316 L
Articleno.					
034967015	15-R $\frac{1}{2}$	52	33	0,052	019278
034967176	15-R $\frac{3}{4}$	64	45	0,069	019279
034967222	18-R $\frac{1}{2}$	52	32	0,053	019280
034967232	18-R $\frac{3}{4}$	55	35	0,064	019281
034967022	22-R $\frac{3}{4}$	57	35	0,074	019282
034967263	22-R $\frac{1}{2}$	67	45	0,070	019283
034967291	22-R1	72	50	0,120	019284
034967028	28-R1	62	39	0,115	019285
034967339	28-R $\frac{3}{4}$	75	52	0,101	019286
034967354	28-R1 $\frac{1}{4}$	81	58	0,163	019287
034967382	35-R1	83	57	0,148	019288
034967035	35-R1 $\frac{1}{4}$	69	43	0,163	019289
034967390	35-R1 $\frac{1}{2}$	84	58	0,198	019290
034967420	42-R1 $\frac{1}{4}$	94	64	0,212	019291
034967042	42-R1 $\frac{1}{2}$	74	44	0,253	019292
034967433	54-R1 $\frac{1}{2}$	105	70	0,271	019293
034967054	54-R2	86	51	0,312	019294
034967076	76,1-R 2 $\frac{1}{2}$	123	71	0,808	031967
034967089	88,9-R 3	137	77	1,152	031968



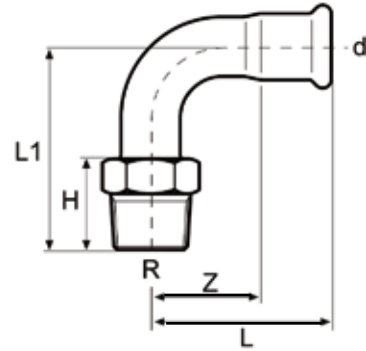
Adapter 90 °, female,  
Threaded

WS no.	d-Rp mm	L mm	L1 mm	Z mm	Kg/pc	AISI 316
Articleno.						
034957015	15-Rp $\frac{1}{2}$	48	57	29	0,077	019295
034957222	18-Rp $\frac{1}{2}$	54	59	34	0,098	019296
034957022	22-Rp $\frac{3}{4}$	60	72	38	0,146	019297
034957028	28-Rp1	72	80	49	0,227	019298
034957035	35-Rp1 $\frac{1}{4}$	88	94	62	0,275	019299



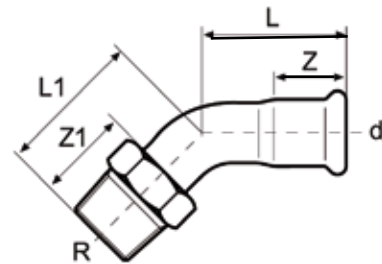
*Adapter 90 °, male,  
Threaded*

WVS no.	d-R mm	L mm	H mm	Z mm	Kg/pc	AISI 316 L
Articleno.						
034955015	15-R $\frac{1}{2}$	48	57	28	0,077	019300
034955222	18-R $\frac{1}{2}$	54	60	34	0,089	019301
034955022	22-R $\frac{3}{4}$	60	69	38	0,115	019302
034955028	28-R1	72	81	49	0,181	019303
034955035	35-R1 $\frac{1}{4}$	88	91	62	0,255	019304
034955042	42-R1 $\frac{1}{2}$	115	114	85	0,359	019305
034955054	54-R2	143	143	108	0,587	019306



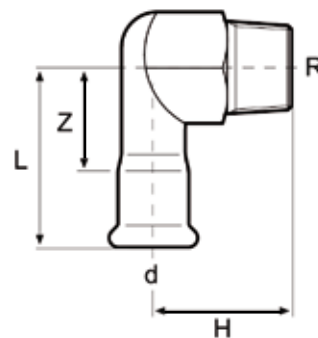
*Adapter 45 °, male,  
Threaded*

WVS no.	d-R mm	L mm	H mm	Z mm	Kg/pc	AISI 316 L
Articleno.						
034956015	15-R $\frac{1}{2}$	36	38	17	0,065	019307
034956222	18-R $\frac{1}{2}$	37	45	17	0,071	019308
034956022	22-R $\frac{3}{4}$	43	49	21	0,101	019309



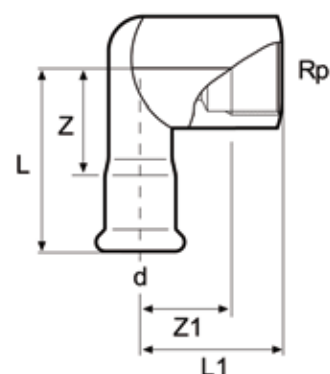
*Angle adapter, male, 90 °,  
Threaded*

WVS no.	d-R mm	L mm	H mm	Z mm	Kg/pc	AISI 316 L
Articleno.						
034981015	15-R $\frac{1}{2}$	56	37	37	0,088	019355
034981176	15-R $\frac{3}{4}$	65	39	46	0,141	019356
034981222	18-R $\frac{1}{2}$	56	37	36	0,098	019357
034981232	18-R $\frac{3}{4}$	68	39	48	0,149	019358
034981022	22-R $\frac{3}{4}$	59	39	37	0,143	019359
034981028	28-R1	65	44	42	0,239	019360
034981035	35-R1 $\frac{1}{4}$	71	49	45	0,374	019361
034981042	42-R1 $\frac{1}{2}$	80	54	50	0,422	019362
034981054	54-R2	90	60	55	0,719	019363



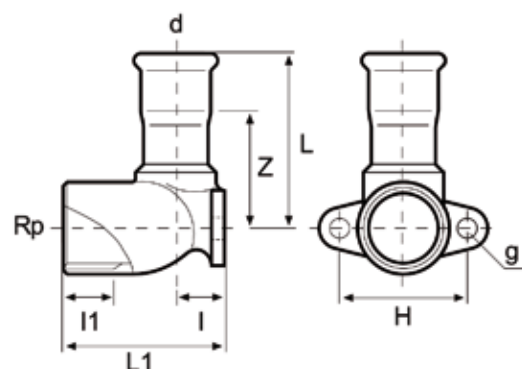
Angle adapter, female, 90 °,  
Threaded

WS no.	d-Rp mm	L mm	L1 mm	Z mm	Z1 mm	Kg/pc	AISI 316 L
Articleno.							
034982015	15-Rp½	56	37	37	22	0,120	019364
034982222	18-Rp½	56	39	34	24	0,117	019365
034982022	22-Rp¾	56	46	34	27	0,180	019366
034982028	28-Rp1	63	54	40	35	0,335	019367
034982035	35-Rp1¼	72	63	46	42	0,421	019368



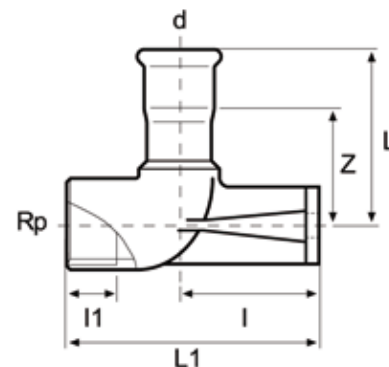
Angle adapter, with wall plate, 90 °,  
Threaded

WS no.	d-Rp mm	L mm	L1 mm	Z mm	I mm	I1 mm	H mm	g mm	Kg/pc	AISI 316L
Articleno.										
034959015	15-G½	49	43	28	11	14	34	5	0,102	019369
034959222	18-G½	49	43	27	11	14	34	5	0,097	019370
034959022	22-G¾	53	51	30	14	15	40	6	0,144	019371
(ISO 228)										



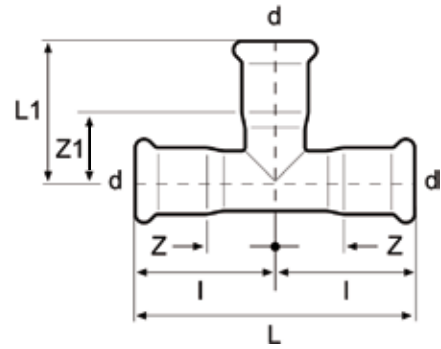
Angle adapter, with long wall plate, 90 °,  
Threaded

WS no.	d-Rp mm	L mm	I mm	L1 mm	Z mm	Z1 mm	Kg/pc	AISI 316L
Articleno.								
15-G½	46	35	65	27	14	0,156	824000	
18-G½	46	35	65	27	14	0,142	824000	
22-G¾	51	31	65	29	15	0,172	824000	



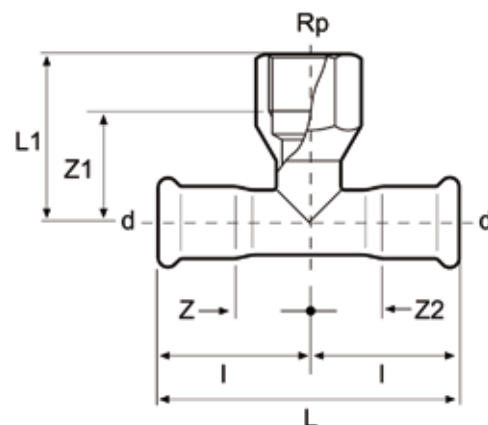
## Equal tee

W/S no.	d mm	L mm	L1 mm	Z mm	Z1 mm	I mm	Kg/pc	AISI 316 L Articleno.
034970015	15,0	74	34	18	15	37	0,067	019310
034970018	18,0	78	39	20	19	39	0,080	019311
034970022	22,0	83	40	22	18	42	0,106	019312
034970028	28,0	92	47	23	24	46	0,140	019313
034970035	35,0	101	54	25	28	51	0,187	019314
034970042	42,0	118	60	29	30	59	0,270	019315
034970054	54,0	142	71	36	36	71	0,380	019316
034970076	76,1	230	120	52	68	115	1,170	031114
034970089	88,9	260	128	60	68	130	1,600	031201
034970108	108,0	310	153	76	77	155	2,319	031202



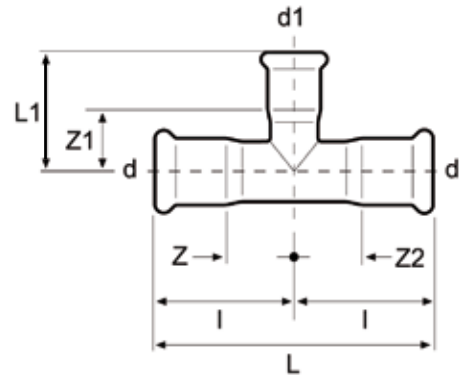
Branch tee,  
Threaded

WS no.	d-Rp mm	L mm	L1 mm	Z mm	Z1 mm	l mm	Kg/pc	AISI 316 L
								Articleno.
034972015	15-Rp1/2-15	74	37	18	22	37	0,084	19338
034972222	18-Rp1/2-18	78	38	19	23	39	0,093	19339
034972232	18-Rp3/4-18	78	44	19	28	39	0,129	19340
034972263	22-Rp1/2-22	83	41	19	27	41	0,115	19341
034972022	22-Rp3/4-22	83	41	19	27	41	0,125	19342
034972324	28-Rp1/2-28	92	44	23	29	46	0,143	19343
034972339	28-Rp3/4-28	92	45	23	29	46	0,173	19344
034972028	28-Rp1-28	92	48	23	29	46	0,229	19345
034972365	35-Rp1/2-35	101	47	24	32	50	0,171	19346
034972371	35-Rp3/4-35	101	48	24	35	50	0,192	19347
034972035	35-Rp1 1/4-35	101	56	24	35	50	0,258	19348
034972410	42-Rp1/2-42	118	47	29	32	59	0,250	19349
034972414	42-Rp3/4-42	118	51	29	35	59	0,255	19350
034972042	42-Rp1 1/2-42	118	59	29	38	59	0,396	19351
034972433	54-Rp1/2-54	142	54	36	39	71	0,343	19352
034972435	54-Rp3/4-54	142	58	36	42	71	0,363	19353
034972054	54-Rp2-54	142	70	36	44	71	0,571	19354
034972608	76,1-Rp3/4-76,1	230	78	62	62	115	0,950	31221
034972616	76,1-Rp2-76,1	230	91	62	65	115	1,139	31222
034972642	88,9-Rp3/4-88,9	260	75	70	59	130		31223
034972644	88,9-Rp2-88,9	260	89	70	63	130		31224
034972663	108-Rp3/4-108	310	85	79	69	155	1,830	31225
034972667	108-Rp2-108	310	98	79	72	155		31226



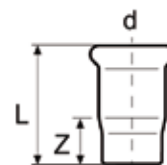
## Reducing tee

WS no.	d-d1-d mm	L mm	L1 mm	Z mm	Z1 mm	l mm	Kg/pc	AISI 316 L	Articeno.
034970222	18-15-18	78	35	19	16	39	0,078	19317	
034970263	22-15-22	83	36	19	17	41	0,041	19318	
034970272	22-18-22	83	38	19	18	41	0,141	19319	
034970324	28-15-28	92	42	23	23	46	0,146	19320	
034970329	28-18-28	92	42	23	22	46	0,146	19321	
034970339	28-22-28	92	45	23	22	46	0,146	19322	
034970365	35-15-35	101	43	24	22	50	0,050	19323	
034970366	35-18-35	101	44	24	22	50	0,050	19324	
034970371	35-22-35	101	47	24	25	50	0,050	19325	
034970382	35-28-38	101	49	24	26	50	0,050	19326	
034970410	42-15-42	118	47	29	28	59	0,059	19327	
034970411	42-18-42	118	48	29	28	59	0,059	19328	
034970414	42-22-42	118	50	29	28	59	0,059	19329	
034970417	42-28-42	118	53	29	30	59	0,059	19330	
034970420	42-35-42	118	57	29	31	59	0,059	19331	
034970433	54-15-54	230	58	36	39	71	0,363	19332	
034970435	54-18-54	230	56	36	36	71	0,071	19333	
034970436	54-22-54	230	56	36	34	71	0,071	19334	
034970437	54-28-54	230	59	36	36	71	0,071	19335	
034970440	54-35-54	230	64	36	38	71	0,071	19336	
034970445	54-42-54	260	68	36	38	71	0,071	19337	
034970608	76,1-22-76,1	260	120	62	98	115	0,115	31203	
034970610	76,1-28-76,1	260	120	62	97	115	0,115	31204	
034970612	76,1-35-76,1	260	120	62	94	115	0,115	31205	
034670614	76,1-42-76,1	260	120	62	90	115	0,115	31206	
034970616	76,1-54-76,1	260	120	62	85	115	0,115	31207	
034970642	88,9-22-88,9	260	128	70	106	130	0,130	31208	
034970638	88,9-28-88,9	260	128	70	105	130	0,130	31209	
034970639	88,9-35-88,9	260	128	70	102	130	0,130	31210	
034970643	88,9-42-88,9	260	128	70	98	130	0,130	31211	
034970644	88,9-54-88,9	260	128	70	93	130	0,130	31212	
034970648	88,9-76,1-88,9	260	128	70	70	130	0,130	31213	
034970663	108-22-108	310	153	79	131	155	0,155	31214	
034970664	108-28-108	310	153	79	130	155	0,155	31215	
034970665	108-35-108	310	153	79	127	155	0,155	31216	
034970666	108-42-108	310	153	79	123	155	0,155	31217	
034970667	108-54-108	310	153	79	118	155	0,155	31218	
034970676	108-76,1-108	310	153	79	100	155	0,155	31219	
034970679	108-88,9-108	310	153	79	93	155	0,155	31220	



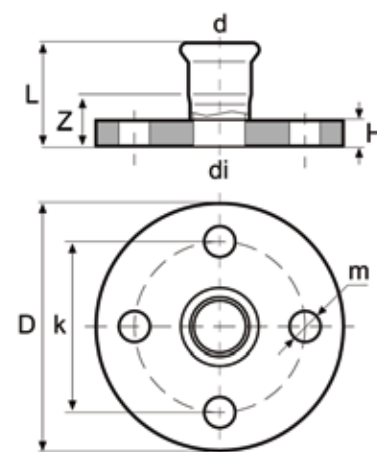
Plug

WVS no.	d mm	L mm	Z mm	Kg/pc	AISI 316 L
Articleno.					
034988015	15,0	37	18	0,027	019414
034988018	18,0	39	19	0,032	019415
034988022	22,0	41	19	0,045	019416
034988028	28,0	46	23	0,062	019417
034988035	35,0	51	25	0,084	019418
034988042	42,0	60	30	0,123	019419
034988054	54,0	71	36	0,185	019420
034988076	76,1	112	60	0,420	031230
034988089	88,9	127	67	0,543	031231
034988108	108,0	152	76	0,822	031232



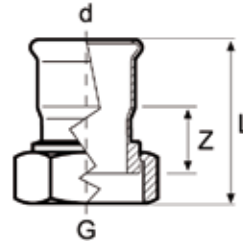
Adaptor flange

WVS no.	d mm	D mm	di mm	L mm	H mm	m mm	k mm	Z mm	Kg/pc	AISI 316 L
Articleno.										
034980015	15,0	95	14	54	11	14	65	35	0,580	019407
034980018	18,0	95	17	60	11	14	65	40	0,579	019408
034980022	22,0	105	21	64	12	14	75	42	0,790	019409
034980028	28,0	115	27	71	14	14	85	48	1,099	019410
034980035	35,0	140	32	79	15	14	100	53	1,710	019411
034980042	42,0	150	39	91	16	14	110	61	2,095	019412
034980054	54,0	165	51	112	18	14	125	77	2,834	019413
034980076	76,1	185	72	126	18	14	145	74	3,546	031227
034980089	88,9	200	85	143	20	14	160	83	4,346	031228
034980108	108,0	220	104	168	20	14	180	92	5,219	031229



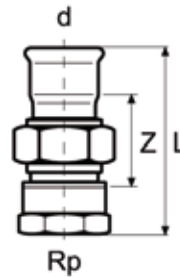
Valve connector with nut

VVS no.	G-d	materiale	L mm	Z mm	Kg/pc	AISI 316 L
Articleno.						
034984015	G1/2-15	Messing	51	24	0,074	019421
034984232	G3/4-18	Messing	51	23	0,076	019422
034984291	G1-22	Messing	51	21	0,106	019423
034984180	G1 1/4-15	Messing	51	24	0,183	019424
034984354	G1 1/4-28	Messing	56	25	0,165	019425
034984390	G1 1/2-35	Messing	64	30	0,260	019426
034984426	G1 3/4-42	Messing	69	31	0,382	019427
034984458	G2 3/8-54	Messing	78	34	0,402	019428
034986176	G3/4-15	Rustfrit	51	23	0,402	019429
034986291	G1-22	Rustfrit	51	19	0,402	019430
(ISO 228)						



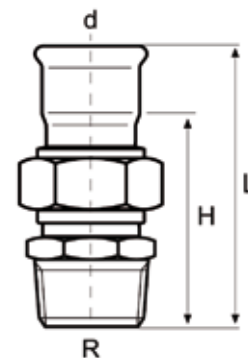
Valve, female,  
Threaded

VVS no.	d-Rp mm	L mm	Z mm	Kg/pc	AISI 316 L
Articleno.					
034991015	15-Rp1/2	73	43	0,145	031950
034991176	15-Rp3/4	75	44	0,182	031951
034991222	18-Rp1/2	72	41	0,145	031952
034991232	18-Rp3/4	74	42	0,182	031953
034991022	22-Rp3/4	76	42	0,212	031954
034991291	22-Rp1	79	43	0,242	031955
034991028	28-Rp1	83	46	0,398	031956
034991035	35-Rp1 1/4	93	50	0,515	031957
034991042	42-Rp1 1/2	98	51	0,620	031958
034991054	54-Rp2	112	56	0,878	031959



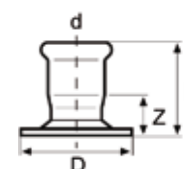
Valve, male,  
Threaded

WS no.	d-R mm	L mm	H mm	Kg/pc	AISI 316 L
Articleno.					
034990015	15-R $\frac{1}{2}$	77	58	0,153	031939
034990176	15-R $\frac{3}{4}$	79	60	0,169	031940
034990222	18-R $\frac{1}{2}$	77	58	0,150	031941
034990232	18-R $\frac{3}{4}$	79	60	0,169	031942
034990263	22-R $\frac{1}{2}$	80	58	0,239	031943
034990022	22-R $\frac{3}{4}$	82	60	0,222	031944
034990291	22-R1	86	64	0,256	031945
034990028	28-R1	90	67	0,394	031946
034990035	35-R1 $\frac{1}{4}$	100	74	0,544	031947
034990042	42-R1 $\frac{1}{2}$	108	78	0,677	031948
034990054	54-R2	121	86	0,939	031949



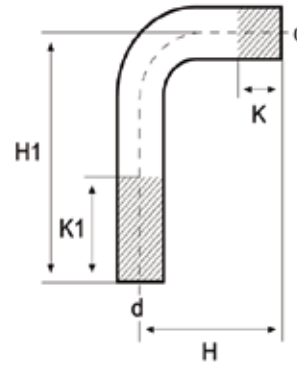
Connecting flange

WS no.	d mm	L mm	Z mm	Kg/pc	AISI 316 L
Articleno.					
	15	38	19	0,056	824000
	15	38	19	0,076	824000
	18	38	18	0,067	824000
	18	38	18	0,078	824000
	22	39	17	0,069	824000
	22	39	17	0,081	824000
	28	42	19	0,088	824000
	35	46	20	0,128	824000
	42	50	20	0,153	824000
	54	56	21	0,227	824000



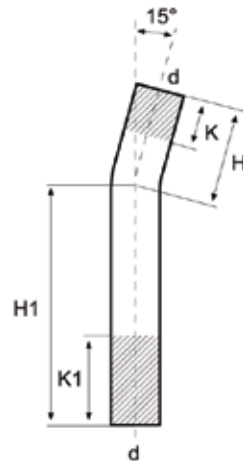
Elbow 90 °

WS no.	d mm	H1 mm	H mm	K1 mm	K mm	Kg/pc	AISI 316 L
Articleno.							
034960015	15,0	120	70	22	72	0,058	019372
034960018	18,0	120	70	17	67	0,071	019373
034960022	22,0	120	70	9	59	0,102	019374
034960028	28,0	125	97	7	47	0,153	019375
034960035	35,0	200	120	30	110	0,364	019376
034960042	42,0	250	150	44	144	0,565	019377
034960054	54,0	300	200	65	165	0,868	019378
	76,1	250	250	62	62		824000
	88,9	291	291	90	90		824000
	108,0	364	364	45	45		824000



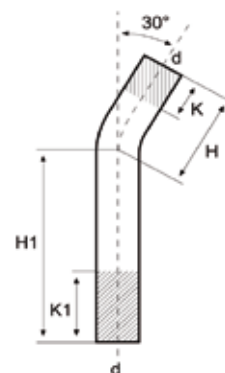
Elbow 15 °

WS no.	d mm	H1 mm	H mm	K1 mm	K mm	Kg/pc	AISI 316 L
Articleno.							
034964028	28,0	136	45	7	47	0,146	019379
034964035	35,0	228	68	30	110	0,376	019380
034964042	42,0	280	89	44	144	0,563	019381
034964054	54,0	332	126	65	165	0,872	019382
	76,1	228	228	65	65		824000
	88,9	240	240	80	80		824000
	108,0	249	249	95	95		824000



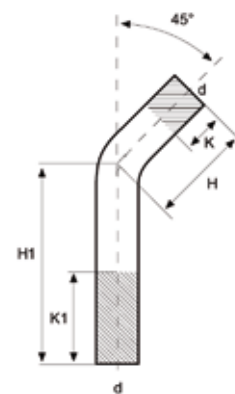
Elbow 30 °

WS no.	d mm	H1 mm	H mm	K1 mm	K mm	Kg/pc	AISI 316 L
Articleno.							
034963028	28,0	130	54	7	47	0,147	019383
034963035	35,0	218	80	30	110	0,381	019384
034963042	42,0	268	105	44	144	0,567	019385
034963054	54,0	326	133	65	165	0,869	019386
	76,1	201	201	65	65		824000
	88,9	241	241	80	80		824000
	108,0	263	263	95	95		824000



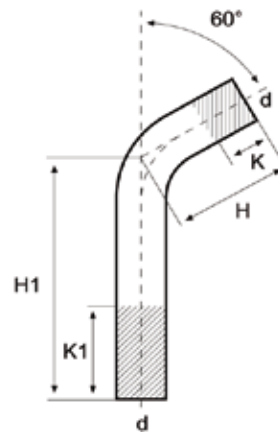
Elbow 45 °

WS no.	d mm	H1 mm	H mm	K1 mm	K mm	Kg/pc	AISI 316 L
Articleno.							
	76,1	225	225	69	69		824000
	88,9	267	267	103	103		824000
	108,0	293	293	66	66		824000



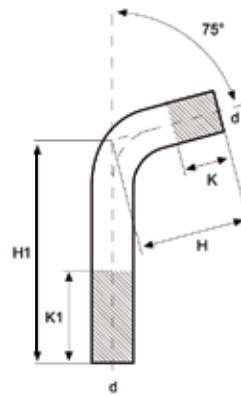
Elbow 60 °

VVS no. mm	d mm	H1 mm	H mm	K1 mm	K mm	Kg/pc	AISI 316 L
Articleno.							
034961028	28,0	121	66	7	47	0,143	019387
034961035	35,0	203	97	30	110	0,374	019388
034961042	42,0	256	120	44	144	0,590	019389
034961054	54,0	306	162	65	165	0,862	019390
	76,1	220	220	70	70		824000
	88,9	256	256	80	80		824000
	108,0	292	292	95	95		824000



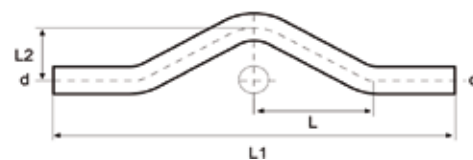
Elbow 75 °

VVS no.	d mm	H1 mm	H mm	K1 mm	K mm	Kg/pc	AISI 316 L
Articleno.							
	76,1	240	240	62	62		824000
	88,9	280	280	90	90		824000
	108,0	345	345	60	60		824000



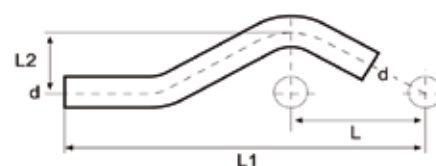
Overlapping "bridge" piece m/m

WS no.	d mm	L1 mm	L2 mm	L mm	Kg/pc	AISI 316 L
Articleno.						
034977015	15	202	37	64	0,073	019399
034977018	18	237	42	66	0,066	019400
034977022	22	233	42	58	0,058	019401
034977028	28	301	50	102	0,102	019402



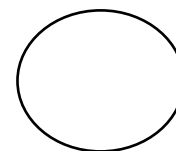
Overlapping "s" piece m/m

WS no.	d mm	L1 mm	L2 mm	L mm	Kg/pc	AISI 316 L
Articleno.						
034976015	15	145	37	57	0,054	019403
034976018	18	157	40	60	0,074	019404
034976022	22	175	52	65	0,117	019405
034976028	28	226	65	74	0,205	019406



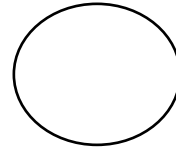
O-ring in EPDM - Temp. -20 ° til + 120°

WS no.	Rør dim mm	E mm	C mm	G./pc	AISI 316 L
Articleno.					
034989015	15,0	15,0	2,6	0,3	019432
034989018	18,0	18,0	2,6	0,4	019433
034989022	22,0	22,0	3,2	0,7	019434
034989028	28,0	28,0	3,1	0,8	019435
034989035	35,0	35,0	3,1	1,0	019436
034989042	42,0	42,0	4,1	2,2	019437
034989054	54,0	54,0	4,1	2,8	019438
034989076	76,1	76,8	8,0		031233
034989089	88,9	89,3	8,2		031234
034989108	108	108,6	11,0		031235



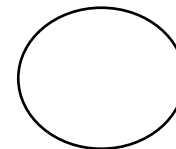
*O-ring in NITRIL/NBR*  
 - Temp. -20 ° til + 100 °

WVS no.	Rør dim mm	E mm	C mm	G./pc	AISI 316 L
Articleno.					
034989215	15,0	15,0	2,6	0,3	031275
034989218	18,0	18,0	2,6	0,4	031276
034989222	22,0	22,0	3,2	0,7	031277
034989228	28,0	28,0	3,1	0,8	031278
034989235	35,0	35,0	3,1	1,0	031279
034989242	42,0	42,0	4,1	2,2	031280
034989254	54,0	54,0	4,1	2,8	031281
034989276	76,1	76,8	8,0		031282
034989289	88,9	89,3	8,2		031283
034989208	108	108,6	11,0		031284



*O-ring in VITON/FKM*  
 - Temp. -20 ° til + 150 °

WVS no.	Rør dim mm	E mm	C mm	G./pc	AISI 316 L
Articleno.					
034989115	15,0	15,0	2,6	0,3	031285
034989118	18,0	18,0	2,6	0,4	031286
034989122	22,0	22,0	3,2	0,7	031287
034989128	28,0	28,0	3,1	0,8	031288
034989135	35,0	35,0	3,1	1,0	031289
034989142	42,0	42,0	4,1	2,2	031290
034989154	54,0	54,0	4,1	2,8	031291
034989176	76,1	76,8	8,0		031292
034989189	88,9	89,3	8,2		031293
034989208	108	108,6	11,0		031294



Seals

WS no.	Rør dim mm	A mm	B mm	C mm	G./pc	AISI 316 L
						Articleno.
034989615	15,0	15,0	23,0	2	0,5	031960
034989618	18,0	18,0	23,0	2	0,5	031961
034989622	22,0	22,5	29,6	2	0,7	031962
034989628	28,0	27,0	38,6	2	1,4	031963
034989635	35,0	35,0	44,6	2	1,3	031964
034989642	42,0	42,0	50,6	2	1,7	031965
034989654	54,0	53,5	67,0	2	4,0	031966

Acid proof water tubes,  
Pressfittings

WS no.	Rør dim mm	A mm	Kg/pc	AISI 316 L
				Articleno.
030620015	15 x 1,00	6000	2.100	019700
030620018	18 x 1,00	6000	2.520	019701
030620022	22 x 1,20	6000	3.840	019702
030620028	28 x 1,20	6000	4.920	019703
030620035	35 x 1,50	6000	7.560	019704
030620042	42 x 1,50	6000	9.480	019705
030620054	54 x 1,50	6000	15.000	019706
030620076	6.1 x 2,00	6000	22.440	019707
030620089	88.9 x 2,00	6000	26.100	019708
030620108	108 x 2,00	6000	32.040	019709

