

Threaded fittings

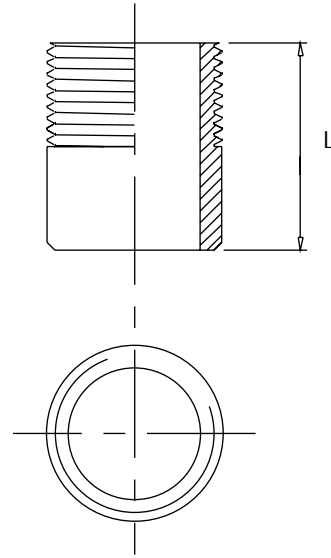
Acid proof, BSP

*Working pressure at 20°C: Welded fittings, 40 bar
 Cast fittings, 10 bar*

Measurement: All measurement are guidelines

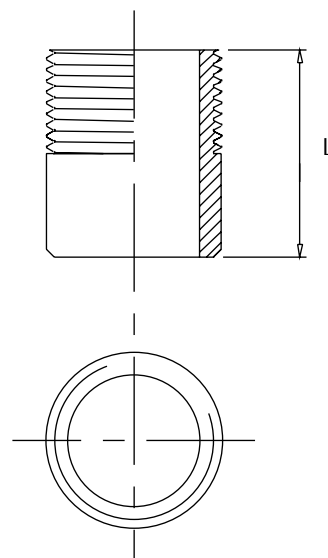
N 61
BSP welding nipple

Dimension	L mm	Kg/pc	AISI	316
Articleno.				
1/8"	30,0	0,011		10004
1/4"	30,0	0,017		10005
3/8"	30,0	0,022		10006
1/2"	35,0	0,035		10007
1/2"	100,0	0,150		10008
3/4"	40,0	0,053		10009
3/4"	100,0	0,133		10010
1"	40,0	0,080		10011
1"	50,0	0,090		11120
1"	100,0	0,200		10012
1"	150,0	0,300		10013
1 1/4"	50,0	0,120		10014
1 1/4"	100,0	0,240		10015
1 1/2"	50,0	0,140		10016
1 1/2"	100,0	0,280		10017
2"	50,0	0,206		10018
2"	100,0	0,412		10019
2 1/2"	60,0	0,270		10020
2 1/2"	100,0	0,480		10021
2 1/2"	120,0	0,576		10022
3"	50,0	0,280		10023
3"	70,0	0,438		10024
4"	85,0	0,700		10025
4"	100,0	0,824		10026



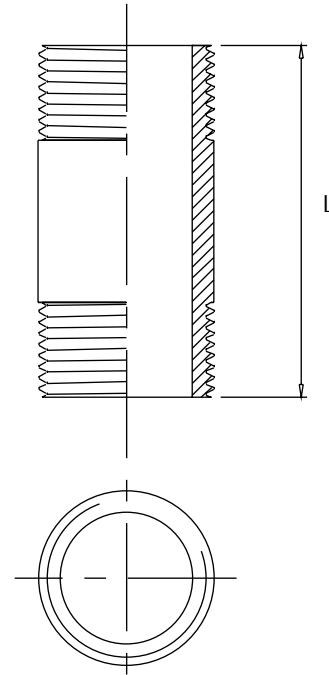
N 61 ST X
BSP welding nipple

Dimension	L mm	AISI 316	Articleno.
1/8"	30,0		31376
1/4"	30,0		31377
3/8"	30,0		31378
1/2"	35,0		31379
1/2"	100,0		31380
3/4"	40,0		31381
3/4"	100,0		31382
1"	40,0		31383
1"	50,0		31384
1"	100,0		31385
1"	150,0		31386
1 1/4"	50,0		31387
1 1/4"	100,0		31388
1 1/2"	50,0		31389
1 1/2"	100,0		31390
2"	50,0		31391
2"	100,0		31392
2 1/2"	60,0		31393
2 1/2"	100,0		31394
2 1/2"	120,0		31395
3"	50,0		31396
3"	70,0		31397
4"	85,0		31398
4"	100,0		31399



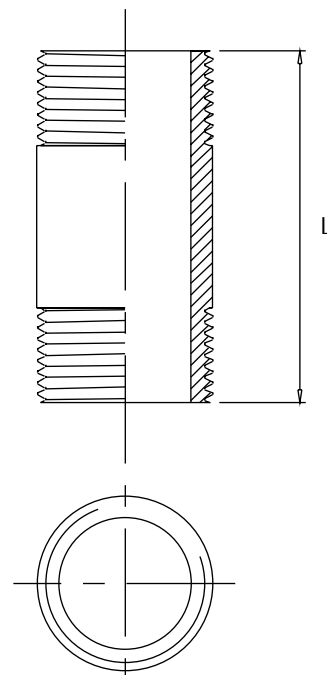
N 62
BSP barrel nipple

Dimension	L mm	Kg/pc	AISI	316
Articleno.				
1/8"	40,0	0,014		10027
1/4"	40,0	0,023		10028
1/4"	60,0	0,033		10029
3/8"	40,0	0,027		10030
3/8"	60,0	0,041		10031
3/8"	180,0	0,122		10032
1/2"	60,0	0,058		10033
1/2"	75,0	0,087		10034
1/2"	150,0	0,174		10035
3/4"	60,0	0,074		10036
3/4"	90,0	0,111		10037
3/4"	150,0	0,195		10038
1"	60,0	0,118		10039
1"	100,0	0,187		10040
1"	150,0	0,266		10041
1 1/4"	80,0	0,192		10042
1 1/4"	150,0	0,374		10043
1 1/4"	200,0	0,576		10044
1 1/2"	80,0	0,224		10045
1 1/2"	150,0	0,438		10046
1 1/2"	200,0	0,672		10047
2"	100,0	0,408		10048
2"	200,0	0,816		10049
2 1/2"	100,0	0,602		10050
2 1/2"	200,0	1,204		10051
3"	70,0	0,762		10052
3"	120,0	1,373		10053
3"	200,0	2,186		10054
4"	100,0	0,816		10055
4"	150,0	1,224		10056



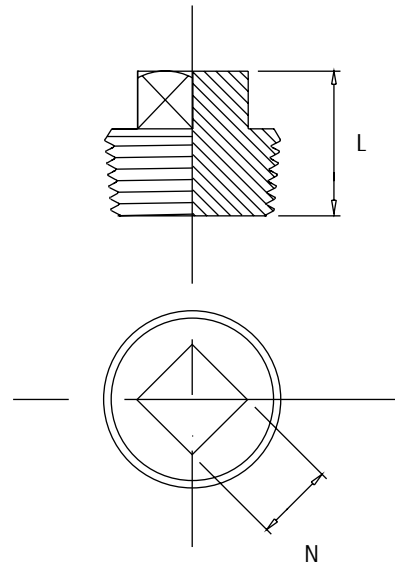
N 62 ST X
BSP barrel nipple

Dimension	L mm	AISI 316	Articleno.
1/8"	40,0		31400
1/4"	40,0		31401
1/4"	60,0		31402
3/8"	40,0		31403
3/8"	60,0		31404
3/8"	180,0		31405
1/2"	60,0		31406
1/2"	75,0		31407
1/2"	150,0		31408
3/4"	60,0		31409
3/4"	90,0		31410
3/4"	150,0		31411
1"	60,0		31412
1"	100,0		31413
1"	150,0		31414
1 1/4"	80,0		31415
1 1/4"	150,0		31416
1 1/4"	200,0		31417
1 1/2"	80,0		31418
1 1/2"	150,0		31419
1 1/2"	200,0		31420
2"	100,0		31421
2"	200,0		31422
2 1/2"	100,0		31423
2 1/2"	200,0		31424
3"	70,0		31425
3"	120,0		31426
3"	200,0		31427
4"	100,0		31428
4"	150,0		31429



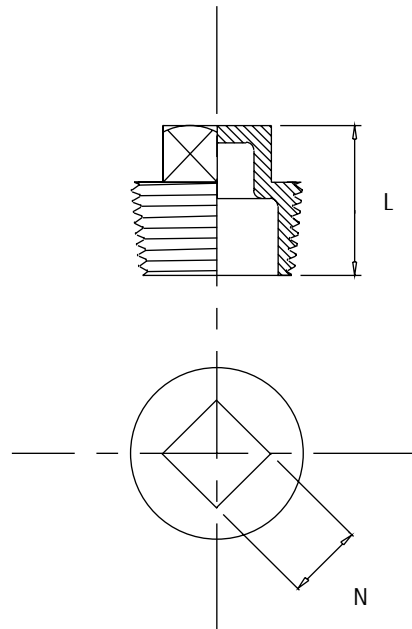
N 70
BSP plug, square, taper thread,

Dimension	L mm	N mm	Kg/pc	AISI	316
Articleno.					
1/8"	16,0	7,0	0,008		10057
1/4"	18,0	9,0	0,015		10058
3/8"	20,0	10,0	0,028		10059
1/2"	22,0	11,0	0,044		10060
3/4"	27,0	16,0	0,084		10061
1"	32,0	19,0	0,156		10062
1 1/4"	36,0	22,0	0,280		10063
1 1/2"	37,0	22,0	0,390		10064
2"	43,0	27,0	0,664		10065
2 1/2"	46,0	32,0	0,700		10066
3"	50,0	36,0	0,850		10067



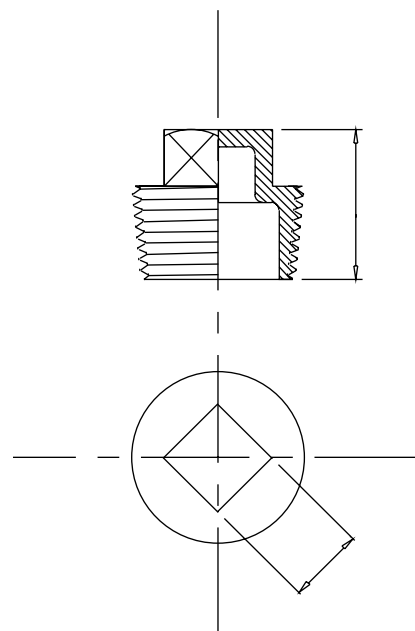
N 70 ST
BSP plug, square, taper thread,
150 lbs casted

Dimension	L mm	N mm	Kg/pc	AISI	316
Articleno.					
1/8"	18,0	6,0	0,010		24000
1/4"	20,0	8,0	0,015		24001
3/8"	20,0	10,0	0,020		24002
1/2"	26,0	14,0	0,035		24003
3/4"	28,0	16,0	0,046		24004
1"	33,0	19,0	0,080		24005
1 1/4"	38,0	22,0	0,110		24006
1 1/2"	38,0	25,0	0,155		24007
2"	44,0	29,0	0,230		24008
2 1/2"	47,0	39,0	0,360		24009
3"	51,0	44,0	0,520		24010



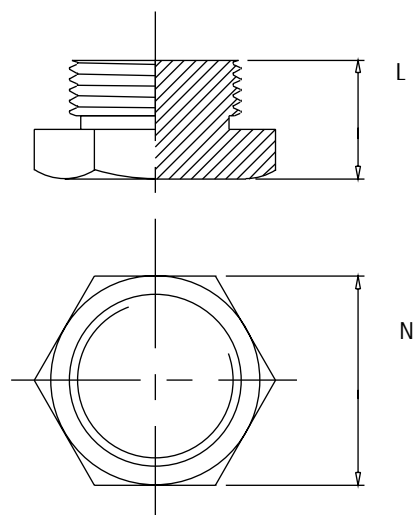
N 70 ST X
BSP plug, square, taper thread,
150 lbs casted

Dimension	AISI	316
		Articleno.
1/8"		31430
1/4"		31431
3/8"		31432
1/2"		31433
3/4"		31434
1"		31435
1 1/4"		31436
1 1/2"		31437
2"		31438
2 1/2"		31439
3"		31440



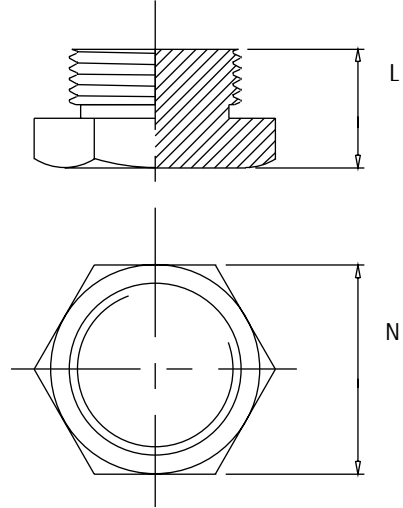
N 71
BSP plug, hexagon, cylindric thread,

Dimension	L mm	N mm		Kg/pc	AISI	316
						Articleno.
1/8"	13,0	14,0		0,013		10068
1/4"	16,0	19,0	Hex.	0,025		10069
3/8"	17,0	22,0		0,035		10070
1/2"	22,0	27,0	Hex.	0,058		10071
3/4"	24,0	32,0		0,112		10072
1"	28,0	41,0	Hex.	0,214		10073
1 1/4"	30,0	50,0		0,378		10074
1 1/2"	32,0	55,0	Hex.	0,508		10075
2"	36,0	70,0		0,894		10076
2 1/2"	40,0	85,0	8-kt.	1,300		10077
3"	45,0	95,0		1,560		10078



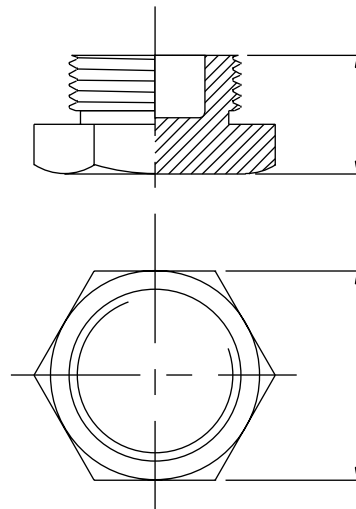
N 71 ST
BSP plug, hexagon, taper thread,
150 lbs casted

Dimension	L mm	N mm		Kg/pc	AISI	316
						Articleno.
1/8"	15,5	14,5		0,013		24016
1/4"	18,0	17,0	Hex.	0,022		24017
3/8"	20,0	21,0		0,027		24018
1/2"	22,0	25,0	Hex.	0,042		24019
3/4"	23,5	31,0		0,057		24020
1"	27,0	37,2	Hex.	0,090		24021
1 1/4"	31,0	46,0		0,155		24022
1 1/2"	31,5	51,5	Hex.	0,200		24023
2"	35,0	63,5		0,310		24024
2 1/2"	43,0	79,0	8-kt.	0,575		24025
3"	45,0	92,5		0,680		24026



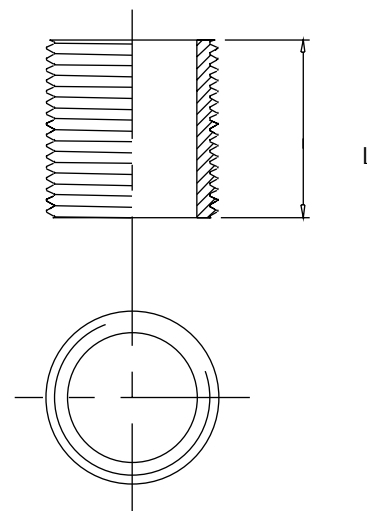
N 71 ST X
BSP plug, hexagon, taper thread,
150 lbs casted

Dimension	AISI	316
		Articleno.
1/8"		31441
1/4"		31442
3/8"		31443
1/2"		31444
3/4"		31445
1"		31446
1 1/4"		31447
1 1/2"		31448
2"		31449
2 1/2"		31450
3"		31451



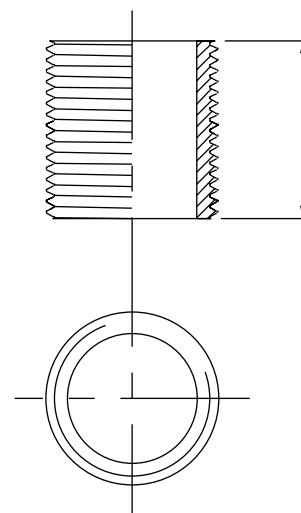
N 72
BSP nipple

Dimension	L mm	Kg/pc	AISI 316	Articleno.
1/8"	16,0	0,004		10079
1/4"	18,0	0,008		10080
3/8"	22,0	0,017		10081
1/2"	25,0	0,021		10082
3/4"	30,0	0,029		10083
1"	35,0	0,055		10084
1 1/4"	38,0	0,076		10085
1 1/2"	38,0	0,106		10086
2"	45,0	0,140		10087
2 1/2"	55,0	0,170		10088
3"	60,0	0,202		10089



N 72 ST X
BSP nipple

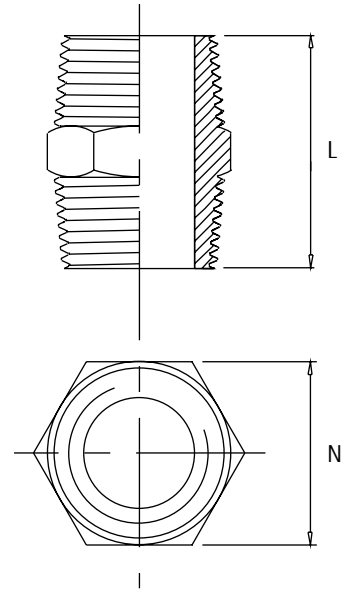
Dimension	AISI 316	Articleno.
1/8"	31452	
1/4"	31453	
3/8"	31454	
1/2"	31455	
3/4"	31456	
1"	31457	
1 1/4"	31458	
1 1/2"	31459	
2"	31460	
2 1/2"	31461	
3"	31462	



N 73

BSP hexagon nipple, taper thread

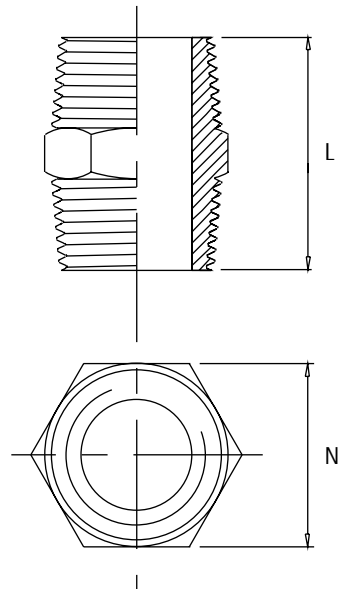
Dimension	L mm	N mm		Kg/pc	AISI	316
Articleno.						
1/8"	21,0	12,0	Hex.	0,012		10090
1/4"	28,0	14,0	Hex.	0,021		10091
3/8"	29,0	19,0	Hex.	0,032		10092
1/2"	36,0	22,0	Hex.	0,068		10093
3/4"	41,0	30,0	Hex.	0,084		10094
1"	46,5	36,0	Hex.	0,138		10095
1 1/4"	54,0	46,0	Hex.	0,252		10096
1 1/2"	54,0	50,0	Hex.	0,272		10097
2"	65,5	65,0	Hex.	0,438		10098
2 1/2"	76,5	80,0	8-kt.	1,095		10099
3"	85,0	90,0	8-kt.	1,368		10100



N 73 ST

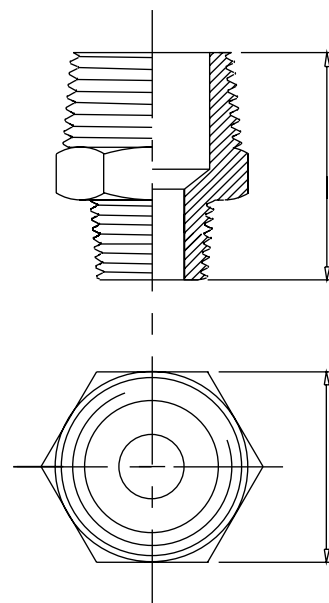
*BSP hexagon nipple, taper thread,
150 lbs casted*

Dimension	L mm	N mm		Kg/pc	AISI	316
Articleno.						
1/8"	30,0	13,0	Hex.	0,018		24031
1/4"	32,0	15,0	Hex.	0,021		24032
3/8"	33,0	20,0	Hex.	0,035		24033
1/2"	41,0	22,5	Hex.	0,054		24034
3/4"	45,0	30,0	Hex.	0,080		24035
1"	49,0	36,0	Hex.	0,120		24036
1 1/4"	54,0	45,0	Hex.	0,180		24037
1 1/2"	56,0	50,0	Hex.	0,230		24038
2"	63,0	62,0	Hex.	0,370		24039
2 1/2"	73,0	78,0	8-kt.	0,500		24040
3"	77,0	92,5	8-kt.	0,650		24041



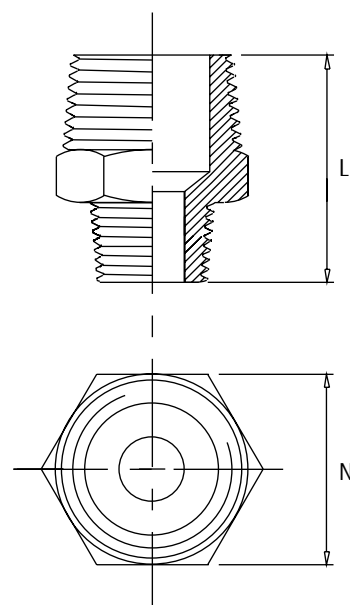
N 73 ST X
BSP hexagon nipple, taper thread,
150 lbs casted

Dimension	AISI 316	Articleno.
1/8"		31463
1/4"		31464
3/8"		31465
1/2"		31466
3/4"		31467
1"		31468
1 1/4"		31469
1 1/2"		31470
2"		31471
2 1/2"		31472
3"		31473



N 74
BSP hexagon nipple, reduced,
taper thread

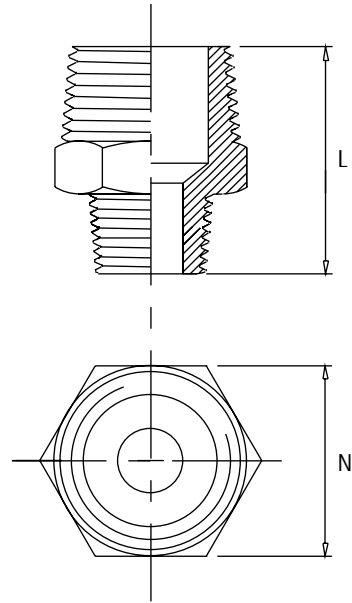
Dimension	L mm	N mm	Kg/pc	AISI 316	Articleno.
1/4" x 1/8"	25,0	14 Hex.	0,017		10101
3/8" x 1/8"	28,0	19 Hex.	0,026		10102
3/8" x 1/4"	29,0	19 Hex.	0,031		10103
1/2" x 1/8"	30,0	22 Hex.	0,039		10104
1/2" x 1/4"	33,0	22 Hex.	0,051		10105
1/2" x 3/8"	33,5	22 Hex.	0,056		10106
3/4" x 3/8"	40,5	30 Hex.	0,082		10107
3/4" x 1/2"	40,5	30 Hex.	0,094		10108
1" x 3/8"	40,5	36 Hex.	0,170		10109
1" x 1/2"	44,0	36 Hex.	0,150		10110
1" x 3/4"	45,5	36 Hex.	0,130		10111
1 1/4" x 1/2"	48,0	46 Hex.	0,326		10112
1 1/4" x 3/4"	49,5	46 Hex.	0,300		10113
1 1/4" x 1"	52,0	46 Hex.	0,228		10114
1 1/2" x 1"	52,0	50 Hex.	0,270		10115
1 1/2" x 1 1/4"	54,0	50 Hex.	0,350		10116
2" x 1"	59,0	65 Hex.	0,510		10117
2" x 1 1/4"	62,0	65 Hex.	0,490		10118
2" x 1 1/2"	62,0	65 Hex.	0,530		10119



N 74 ST

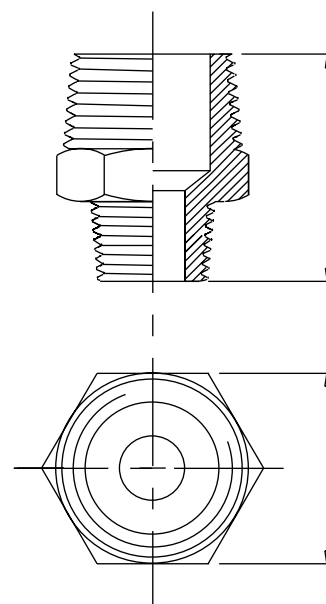
*BSP hexagon nipple, reduced, taper thread,
150 lbs casted*

Dimension	L mm	N mm		Kg/pc	AISI	316
Articleno.						
1/4" x 1/8"	31,0	15,5	Hex.	0,020		24046
3/8" x 1/8"	34,5	19,7	Hex.	0,035		24047
3/8" x 1/4"	34,5	19,7	Hex.	0,035		24048
1/2" x 1/4"	36,5	23,0	Hex.	0,052		24049
1/2" x 3/8"	36,5	23,0	Hex.	0,052		24050
3/4" x 3/8"	41,0	28,7	Hex.	0,085		24051
3/4" x 1/2"	41,0	28,7	Hex.	0,085		24052
1" x 1/4"	42,0	36,0	Hex.	0,120		24061
1" x 1/2"	45,0	36,0	Hex.	0,120		24053
1" x 3/4"	45,0	36,0	Hex.	0,120		24054
1 1/4" x 1/2"	46,0	47,0	Hex.	0,190		24055
1 1/4" x 1"	46,0	47,0	Hex.	0,190		24056
1 1/2" x 1"	51,0	54,6	Hex.	0,270		24057
1 1/2" x 1 1/4"	51,0	54,6	Hex.	0,270		24058
2" x 1"	63,4	53,0	Hex.	0,400		24059
2" x 1 1/4"	63,4	53,0	Hex.	0,400		24062
2" x 1 1/2"	63,4	53,0	Hex.	0,400		24060



N 74 ST X
BSP hexagon nipple, reduced, taper thread,
150 lbs casted

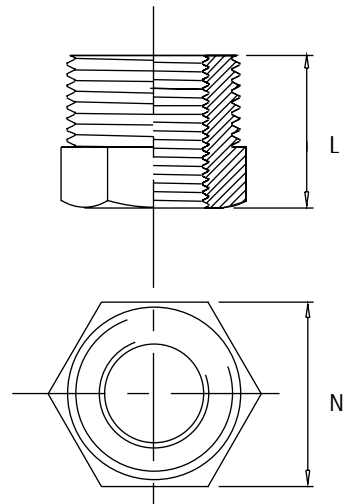
Dimension	AISI	316
		Articleno.
1/4" x 1/8"		31474
3/8" x 1/8"		31475
3/8" x 1/4"		31476
1/2" x 1/4"		31477
1/2" x 3/8"		31478
3/4" x 3/8"		31479
3/4" x 1/2"		31480
1" x 1/4"		31481
1" x 1/2"		31482
1" x 3/4"		31483
1 1/4" x 1/2"		31484
1 1/4" x 1"		31485
1 1/2" x 1"		31486
1 1/2" x 1 1/4"		31487
2" x 1"		31488
2" x 1 1/4"		31489
2" x 1 1/2"		31490



N 75

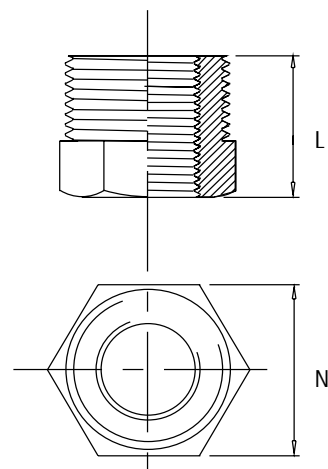
BSP reducing bush, taper thread

Dimension	L mm	N mm	Kg/pc	AISI	316
Articleno.					
1/4" x 1/8"	17,0	14,0	Hex.	0,010	10120
3/8" x 1/8"	17,5	19,0	Hex.	0,026	10121
3/8" x 1/4"	17,5	19,0	Hex.	0,016	10122
1/2" x 1/8"	21,0	22,0	Hex.	0,050	10123
1/2" x 1/4"	21,0	22,0	Hex.	0,039	10124
1/2" x 3/8"	21,0	22,0	Hex.	0,025	10125
3/4" x 1/4"	24,5	30,0	Hex.	0,092	10126
3/4" x 3/8"	24,5	30,0	Hex.	0,076	10127
3/4" x 1/2"	24,5	30,0	Hex.	0,054	10128
1" x 1/4"	27,0	36,0	Hex.	0,142	10129
1" x 3/8"	27,0	36,0	Hex.	0,152	10130
1" x 1/2"	27,0	36,0	Hex.	0,132	10131
1" x 3/4"	27,0	36,0	Hex.	0,086	10132
1 1/4" x 1/2"	32,5	46,0	Hex.	0,290	10133
1 1/4" x 1"	32,5	46,0	Hex.	0,142	10134
1 1/2" x 1"	32,5	50,0	Hex.	0,278	10135
1 1/2" x 1 1/4"	32,5	50,0	Hex.	0,144	10136
2" x 1"	40,0	63,0	Hex.	0,656	10137
2" x 1 1/4"	40,0	63,0	Hex.	0,508	10138
2" x 1 1/2"	40,0	63,0	Hex.	0,336	10139
2 1/2" x 2"	46,0	80,0	8-kt.	0,800	10140
3" x 2 1/2"	51,5	90,0	8-kt.	0,688	10141



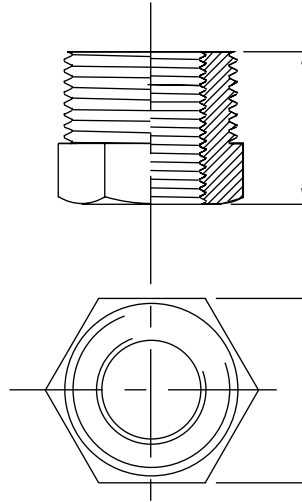
N 75 ST
BSP reducing bush, taper thread,
150 lbs casted

Dimension	L mm	N mm	Kg/pc	AISI	316
					Articleno.
1/4" x 1/8"	17,0	17,0	Hex.	0,015	24066
3/8" x 1/8"	18,5	21,0	Hex.	0,020	24067
3/8" x 1/4"	18,5	21,0	Hex.	0,020	24068
1/2" x 1/4"	21,0	26,0	Hex.	0,040	24069
1/2" x 3/8"	21,0	26,0	Hex.	0,036	24070
3/4" x 1/4"	24,0	30,0	Hex.	0,620	24071
3/4" x 3/8"	24,0	30,0	Hex.	0,550	24072
3/4" x 1/2"	24,0	30,0	Hex.	0,550	24073
1" x 3/8"	27,5	38,0	Hex.	0,100	24074
1" x 1/2"	27,5	38,0	Hex.	0,080	24075
1" x 3/4"	27,5	38,0	Hex.	0,080	24076
1 1/4" x 1/2"	30,0	46,0	Hex.	0,180	24077
1 1/4" x 3/4"	30,0	46,0	Hex.	0,100	24085
1 1/4" x 1"	30,0	46,0	Hex.	0,100	24078
1 1/2" x 1/2"	30,5	52,0	Hex.	0,240	24086
1 1/2" x 3/4"	30,5	52,0	Hex.	0,220	24087
1 1/2" x 1"	30,5	52,0	Hex.	0,200	24079
1 1/2" x 1 1/4"	30,5	52,0	Hex.	0,180	24080
2" x 1"	33,5	63,7	Hex.	0,370	24081
2" x 1 1/4"	33,5	63,7	Hex.	0,300	24088
2" x 1 1/2"	33,5	63,7		0,370	24082
2 1/2" x 2"	40,0	80,0	8-kt.	0,240	24083
3" x 2 1/2"	43,0	94,0	8-kt.	0,600	24084



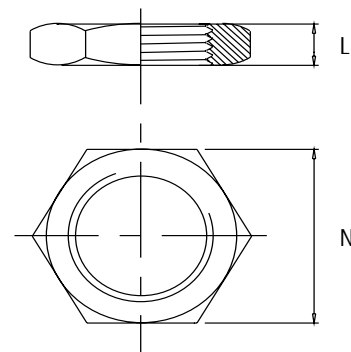
N 75 ST X
BSP reducing bush, taper thread,
150 lbs casted

Dimension	AISI	316
		Articleno.
1/4" x 1/8"		31491
3/8" x 1/8"		31492
3/8" x 1/4"		31493
1/2" x 1/4"		31494
1/2" x 3/8"		31495
3/4" x 1/4"		31496
3/4" x 3/8"		31497
3/4" x 1/2"		31498
1" x 3/8"		31499
1" x 1/2"		31500
1" x 3/4"		31501
1 1/4" x 1/2"		31502
1 1/4" x 3/4"		31503
1 1/4" x 1"		31504
1 1/2" x 1/2"		31505
1 1/2" x 3/4"		31506
1 1/2" x 1"		31507
1 1/2" x 1 1/4"		31508
2" x 1"		31509
2" x 1 1/4"		31510
2" x 1 1/2"		31511
2 1/2" x 2"		31512
3" x 2 1/2"		31513



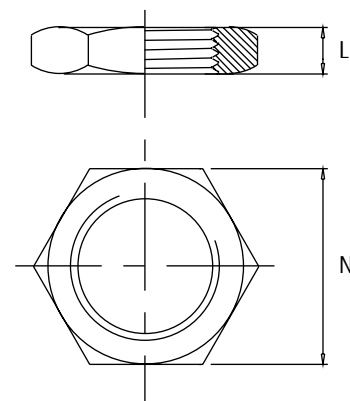
N 77
BSP lock nut

Dimension	L mm	N mm	Kg/pc	AISI 316	Articleno.
1/8"	7,0	17,0 Hex.	0,006		10151
1/4"	8,0	22,0 Hex.	0,012		10152
3/8"	9,0	27,0 Hex.	0,019		10153
1/2"	9,0	32,0 Hex.	0,020		10154
3/4"	10,0	36,0 Hex.	0,029		10155
1"	11,0	46,0 Hex.	0,049		10156
1 1/4"	13,0	55,0 Hex.	0,082		10157
1 1/2"	13,0	60,0 Hex.	0,134		10158
2"	14,0	75,0 8-kt.	0,218		10159
2 1/2"	16,0	95,0 8-kt.	0,283		10160
3"	19,0	105,0 8-kt.	0,367		10161



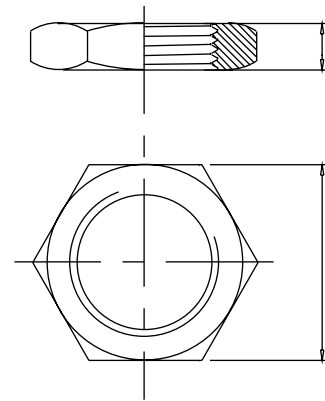
N 77 ST
BSP lock nut,
150 lbs casted

Dimension	L mm	N mm	Kg/pc	AISI 316	Articleno.
1/8"	6,5	16,0 Hex.	0,010		24091
1/4"	7,0	18,0 Hex.	0,010		24092
3/8"	7,0	24,0 Hex.	0,020		24093
1/2"	8,0	30,0 Hex.	0,024		24094
3/4"	9,0	34,5 Hex.	0,035		24095
1"	9,0	43,0 Hex.	0,050		24096
1 1/4"	11,0	52,0 Hex.	0,085		24097
1 1/2"	12,0	58,0 Hex.	0,100		24098
2"	13,0	72,0 Hex.	0,160		24099
2 1/2"	15,0	89,0 Hex.	0,514		24100
3"	17,0	102,0 Hex.	0,360		24101



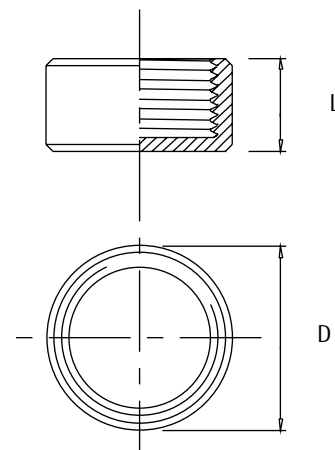
N 77 ST X
 BSP lock nut,
 150 lbs casted

Dimension	AISI	316
		Articleno.
1/8"		31514
1/4"		31515
3/8"		31516
1/2"		31517
3/4"		31518
1"		31519
1 1/4"		31520
1 1/2"		31521
2"		31522
2 1/2"		31523
3"		31524



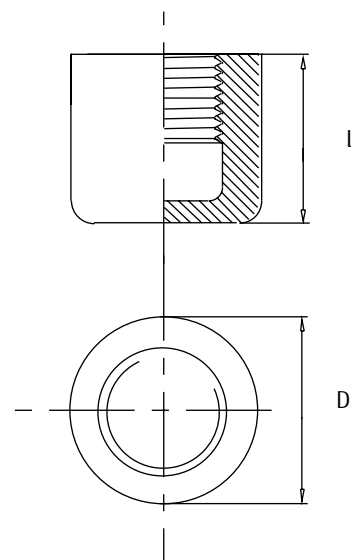
N 79
BSP back round cap

Dimension	L mm	D mm	Kg/pc	AISI 316	Articleno.
1/8"	13,0	14,5	0,016		10162
1/4"	17,0	18,0	0,018		10163
3/8"	18,0	21,5	0,030		10164
1/2"	22,0	27,0	0,058		10165
3/4"	24,0	33,5	0,088		10166
1"	28,0	39,5	0,122		10167
1 1/4"	31,0	50,0	0,198		10168
1 1/2"	31,0	57,0	0,312		10169
2"	37,0	69,5	0,438		10170
2 1/2"	42,0	84,5	0,569		10171
3"	46,0	100,0	0,740		10172



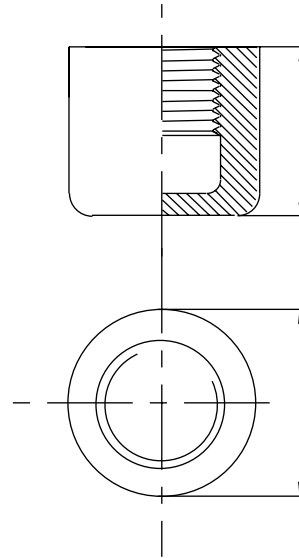
N 79 ST
BSP back round cap,
150 lbs casted

Dimension	L mm	D mm	Kg/pc	AISI 316	Articleno.
1/8"	16,0	18,0	0,020		24106
1/4"	17,0	20,0	0,020		24107
3/8"	18,5	23,5	0,025		24108
1/2"	20,5	29,0	0,050		24109
3/4"	23,0	35,0	0,065		24110
1"	27,0	42,5	0,100		24111
1 1/4"	27,0	52,0	0,130		24112
1 1/2"	31,0	59,5	0,170		24113
2"	34,0	72,0	0,240		24114
2 1/2"	41,0	89,0	0,420		24115
3"	42,0	102,0	0,630		24116



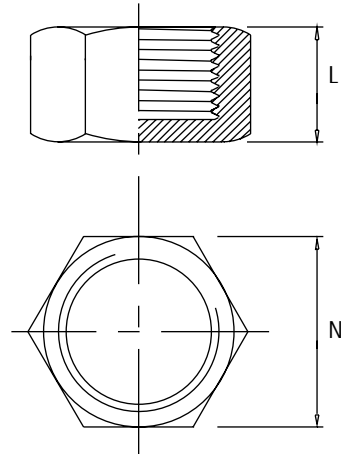
N 79 ST X
BSP back round cap,
150 lbs casted

Dimension	AISI	316
Articleno.		
1/8"		31525
1/4"		31526
3/8"		31527
1/2"		31528
3/4"		31529
1"		31530
1 1/4"		31531
1 1/2"		31532
2"		31533
2 1/2"		31534
3"		31535



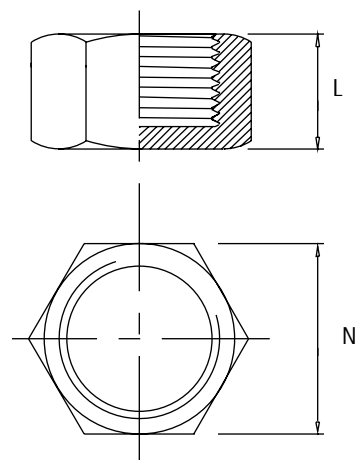
N 80
BSP lock, hexagon cap

Dimension	L mm	N mm	Kg/pc	AISI	316
Articleno.					
1/8"	13,0	14,0	Hex. 0,020		10173
1/4"	17,0	19,0	Hex. 0,026		10174
3/8"	18,0	22,0	Hex. 0,033		10175
1/2"	22,0	27,0	Hex. 0,059		10176
3/4"	24,0	32,0	Hex. 0,076		10177
1"	28,0	41,0	Hex. 0,144		10178
1 1/4"	30,0	50,0	Hex. 0,224		10179
1 1/2"	31,0	55,0	Hex. 0,250		10180
2"	35,0	70,0	8-kt. 0,350		10181
2 1/2"	40,0	85,0	8-kt. 0,460		10182
3"	45,0	95,0	8-kt. 0,501		10183



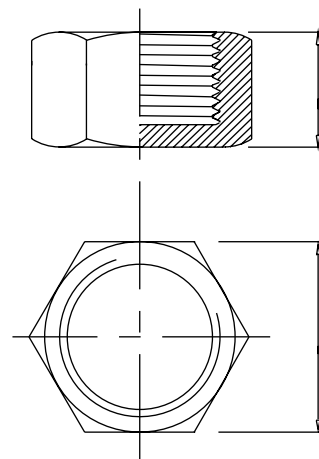
N 80 ST
BSP lock, hexagon cap,
150 lbs casted

Dimension	L mm	N mm	Kg/pc	AISI 316	Articleno.
1/8"	15,0	15,5 Hex.	0,020		24121
1/4"	17,0	17,5 Hex.	0,026		24122
3/8"	17,0	21,0 Hex.	0,028		24123
1/2"	21,0	26,0 Hex.	0,057		24124
3/4"	21,0	31,0 Hex.	0,061		24125
1"	28,0	38,5 Hex.	0,100		24126
1 1/4"	31,5	47,0 Hex.	0,160		24127
1 1/2"	31,5	54,0 Hex.	0,200		24128
2"	35,0	66,0 Hex.	0,300		24129
2 1/2"	38,0	84,0 Hex.	0,570		24130
3"	41,0	98,5 Hex.	0,750		24131



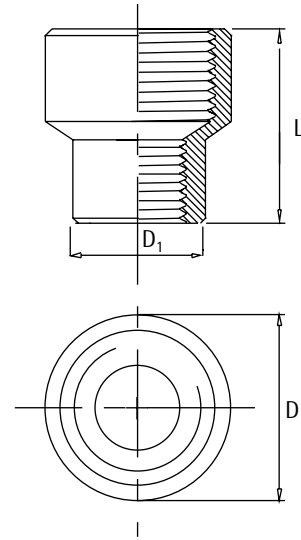
N 80 ST X
BSP lock, hexagon cap,
150 lbs casted

Dimension	AISI 316	Articleno.
1/8"		31536
1/4"		31537
3/8"		31538
1/2"		31539
3/4"		31540
1"		31541
1 1/4"		31542
1 1/2"		31543
2"		31544
2 1/2"		31545
3"		31546



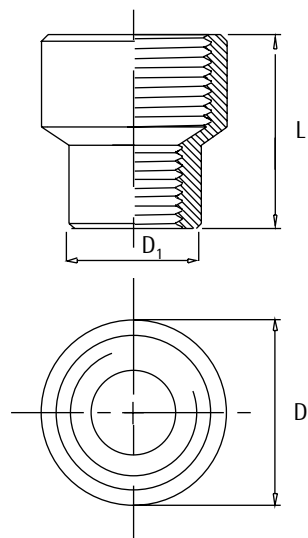
N 81
BSP socket, reduced

Dimension	L mm	D mm	D ₁ mm	Kg/pc	AISI	316
Articleno.						
1/4" x 1/8"	27,0	18,8	14,0	0,027		10184
3/8" x 1/4"	30,0	21,4	19,0	0,050		10185
1/2" x 1/4"	36,0	27,5	19,0	0,066		10186
1/2" x 3/8"	36,0	27,5	23,0	0,074		10187
3/4" x 3/8"	39,0	32,5	23,0	0,112		10188
3/4" x 1/2"	39,0	32,5	28,0	0,128		10189
1" x 1/2"	45,0	39,5	28,0	0,214		10190
1" x 3/4"	45,0	39,5	32,5	0,186		10191
1 1/4" x 1/2"	50,0	49,5	28,0	0,356		10192
1 1/4" x 3/4"	50,0	49,5	32,5	0,298		10193
1 1/4" x 1"	50,0	49,5	39,5	0,250		10194
1 1/2" x 1"	55,0	54,7	39,5	0,360		10195
1 1/2" x 1 1/4"	55,0	54,7	49,5	0,424		10196
2" x 1"	65,0	69,5	39,5	0,586		10197
2" x 1 1/2"	65,0	69,5	55,5	0,534		10198
2 1/2" x 2"	74,0	84,0	69,5	0,675		10199
3" x 2"	80,0	99,5	69,5	0,736		10200



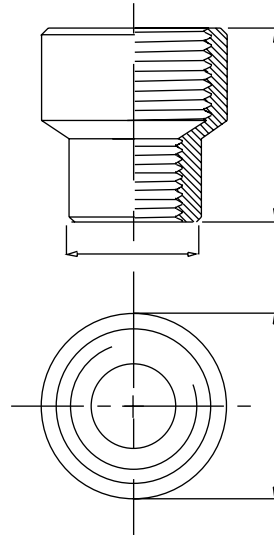
N 81 ST
BSP socket, reduced,
150 lbs casted

Dimension	L mm	D mm	D ₁ mm	Kg/pc	AISI 316	Articleno.
1/4" x 1/8"	28,0	21,0	17,0	0,033		24136
3/8" x 1/4"	29,0	25,0	21,0	0,047		24137
1/2" x 1/4"	32,0	28,0	21,0	0,068		24138
1/2" x 3/8"	35,0	28,0	25,0	0,068		24139
3/4" x 3/8"	36,0	34,0	25,0	0,095		24140
3/4" x 1/2"	39,0	34,0	28,0	0,095		24141
1" x 1/2"	41,0	42,0	28,0	0,130		24142
1" x 3/4"	42,0	42,3	34,4	0,130		24143
1 1/4" x 1/2"	43,4	51,0	20,5	0,190		24144
1 1/4" x 3/4"	45,0	51,0	34,4	0,190		24145
1 1/4" x 1"	48,5	51,0	42,5	0,190		24146
1 1/2" x 1"	51,0	59,0	42,3	0,260		24147
1 1/2" x 1 1/4"	54,0	59,0	51,0	0,260		24148
2" x 1 1/4"	67,5	72,5	52,5	0,400		24153
2" x 1 1/2"	56,5	70,7	59,0	0,400		24149
2 1/2" x 2"	65,5	88,0	71,5	0,750		24150
3" x 2"	74,5	103,5	72,5	1,150		24151



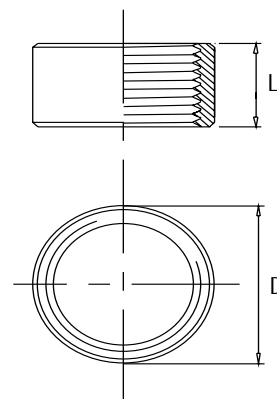
N 81 ST X
 BSP socket, reduced,
 150 lbs casted

Dimension	AISI	316
		Articleno.
1/4" x 1/8"		31547
3/8" x 1/4"		31548
1/2" x 1/4"		31549
1/2" x 3/8"		31550
3/4" x 3/8"		31551
3/4" x 1/2"		31552
1" x 1/2"		31553
1" x 3/4"		31554
1 1/4" x 1/2"		31555
1 1/4" x 3/4"		31556
1 1/4" x 1"		31557
1 1/2" x 1"		31558
1 1/2" x 1 1/4"		31559
2" x 1 1/4"		31560
2" x 1 1/2"		31561
2 1/2" x 2"		31562
3" x 2"		31563



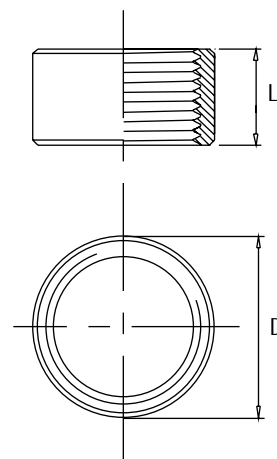
N 82
BSP half socket

Dimension	L mm	D mm	Kg/pc	AISI 316	Articleno.
1/8"	10,0	14,0	0,009		10202
1/4"	11,0	18,5	0,010		10203
3/8"	12,0	21,3	0,015		10204
1/2"	15,0	26,5	0,029		10205
3/4"	17,0	32,5	0,054		10206
1"	19,5	39,5	0,076		10207
1 1/4"	22,0	48,3	0,116		10208
1 1/2"	22,0	54,5	0,138		10209
2"	26,0	66,3	0,218		10210
2 1/2"	30,0	82,0	0,273		10211
3"	34,0	95,0	0,328		10212



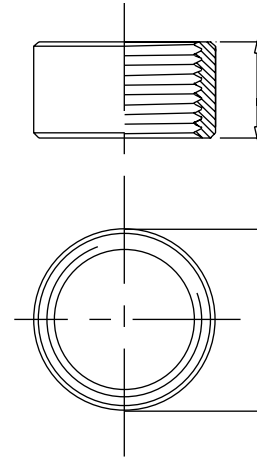
N 82 ST
BSP half socket,
150 lbs casted

Dimension	L mm	D mm	Kg/pc	AISI 316	Articleno.
1/8"	11,0	14,0	0,010		24156
1/4"	13,0	19,0	0,015		24157
3/8"	14,0	22,0	0,020		24158
1/2"	18,0	27,0	0,030		24159
3/4"	19,0	32,0	0,047		24160
1"	21,0	40,0	0,054		24161
1 1/4"	23,0	49,0	0,195		24162
1 1/2"	23,0	55,0	0,120		24163
2"	27,0	67,0	0,155		24164
2 1/2"	32,0	83,0	0,340		24165
3"	35,0	95,0	0,325		24166



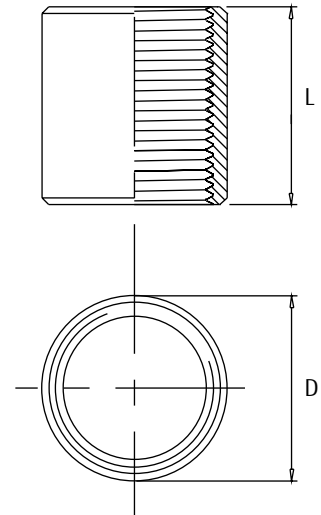
N 82 ST X
BSP half socket,
150 lbs casted

Dimension	AISI	316
	Articleno.	
1/8"		31564
1/4"		31565
3/8"		31566
1/2"		31567
3/4"		31568
1"		31569
1 1/4"		31570
1 1/2"		31571
2"		31572
2 1/2"		31573
3"		31574



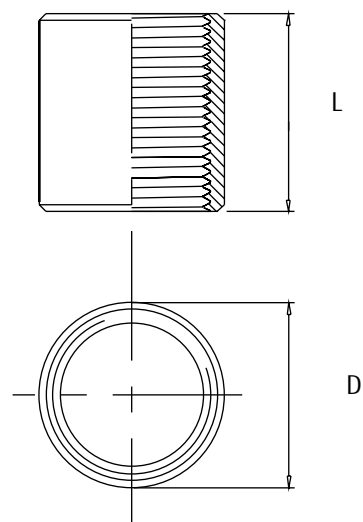
N 83
BSP socket

Dimension	L mm	D mm	Kg/pc	AISI	316
	Articleno.				
1/8"	17,0	14,0	0,011		10213
1/4"	25,0	18,5	0,025		10214
3/8"	26,0	21,3	0,039		10215
1/2"	34,0	26,5	0,074		10216
3/4"	36,0	32,5	0,112		10217
1"	43,0	39,0	0,158		10218
1 1/4"	48,0	48,3	0,265		10219
1 1/2"	48,0	54,5	0,314		10220
2"	56,0	66,3	0,532		10221
2 1/2"	65,0	82,0	0,795		10222
3"	71,0	95,0	1,060		10223
4"	85,0	125,0	3,000		10224



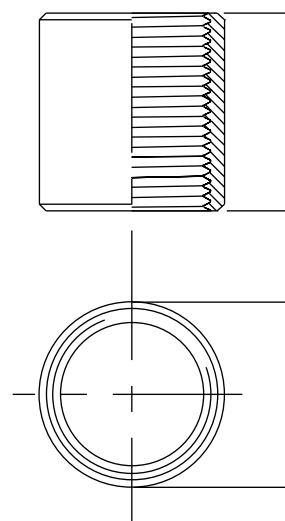
N 83 ST
BSP socket,
150 lbs casted

Dimension	L mm	D mm	Kg/pc	AISI 316	Articleno.
1/8"	20,0	14,0	0,015		24171
1/4"	25,0	18,5	0,025		24172
3/8"	26,0	21,5	0,033		24173
1/2"	34,0	26,5	0,064		24174
3/4"	36,0	32,0	0,090		24175
1"	43,0	39,5	0,150		24176
1 1/4"	48,0	48,5	0,200		24177
1 1/2"	48,0	54,5	0,240		24178
2"	56,0	66,5	0,360		24179
2 1/2"	65,0	82,5	0,750		24180
3"	71,0	95,0	0,780		24181
4"	83,0	123,0	1,460		24182



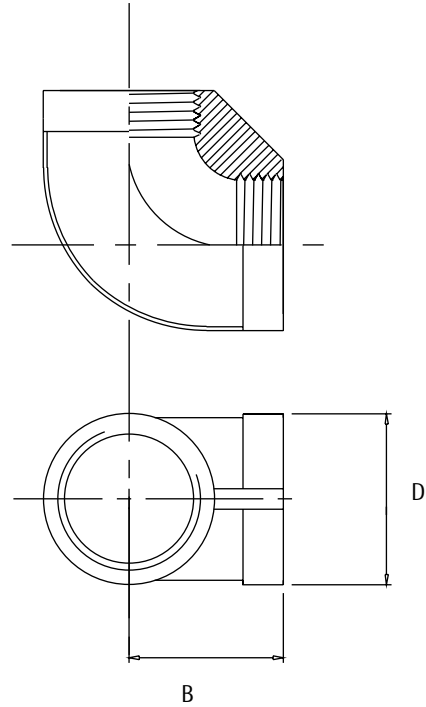
N 83 ST X
BSP socket,
150 lbs casted

Dimension	AISI 316	Articleno.
1/8"		31575
1/4"		31576
3/8"		31577
1/2"		31578
3/4"		31579
1"		31580
1 1/4"		31581
1 1/2"		31582
2"		31583
2 1/2"		31584
3"		31585
4"		31586



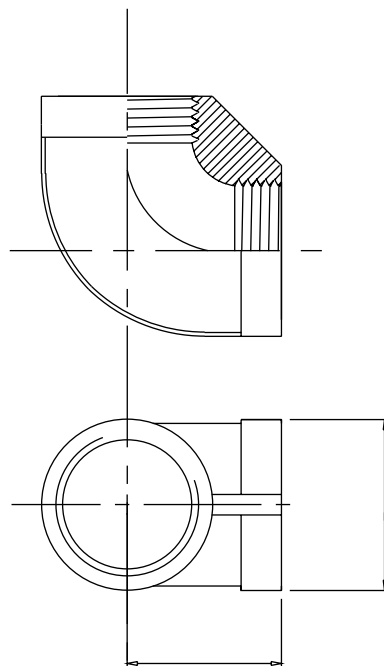
N 84 ST
BSP elbows,
150 lbs casted , 90°

Dimension	B mm	D mm	Kg/pc	AISI	316
Articleno.					
1/8"	18,0	16,0	0,020		10236
1/4"	19,0	19,0	0,035		10237
3/8"	21,5	22,5	0,042		10238
1/2"	27,0	29,0	0,080		10239
3/4"	31,0	34,0	0,100		10240
1"	35,0	42,0	0,180		10241
1 1/4"	44,0	51,0	0,250		10242
1 1/2"	46,5	58,5	0,300		10243
2"	54,5	71,0	0,500		10244
2 1/2"	65,0	88,0	0,870		10245
3"	72,0	105,0	1,230		10246



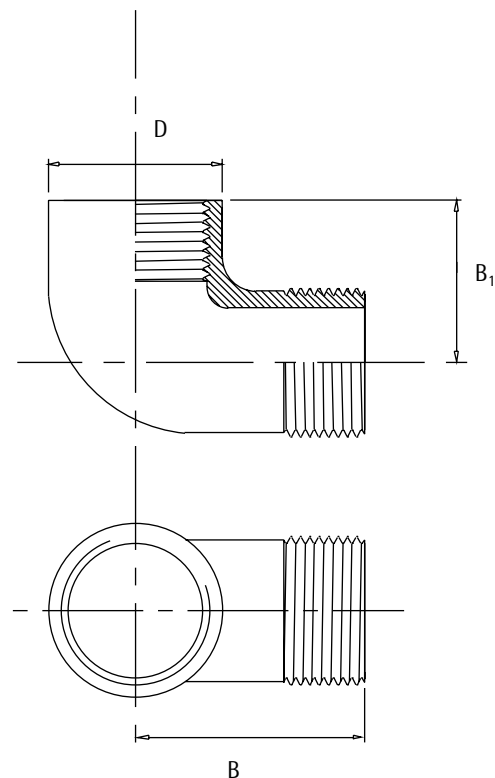
N 84 ST X
BSP elbows,
150 lbs casted , 90°

Dimension	AISI	316
Articleno.		
1/8"		31587
1/4"		31588
3/8"		31589
1/2"		31590
3/4"		31591
1"		31592
1 1/4"		31593
1 1/2"		31594
2"		31595
2 1/2"		31596
3"		31597



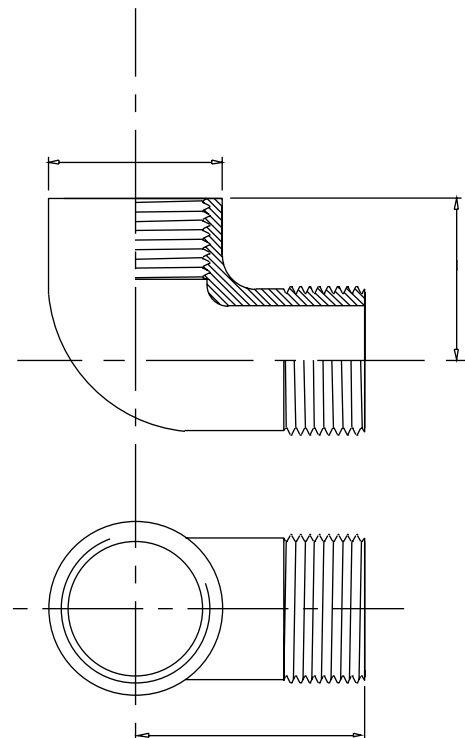
N 84 ST
BSP elbows,
150 lbs casted , 90°,
Socket/nipple

Dimension	B mm	B ₁ mm	D mm	Kg/pc	AISI 316	Articleno.
1/8"	26,5	19,0	15,0	0,021		24186
1/4"	30,8	21,5	18,2	0,035		24187
3/8"	36,5	24,5	22,5	0,045		24188
1/2"	41,0	29,0	28,0	0,080		24189
3/4"	48,0	33,5	33,5	0,125		24190
1"	55,5	38,0	43,0	0,205		24191
1 1/4"	62,0	43,0	52,0	0,355		24192
1 1/2"	68,0	47,0	59,0	0,420		24193
2"	77,5	57,5	72,0	0,600		24194
2 1/2"	93,0	66,0	87,0	1,445		24195
3"	109,0	74,0	101,0	1,530		24196



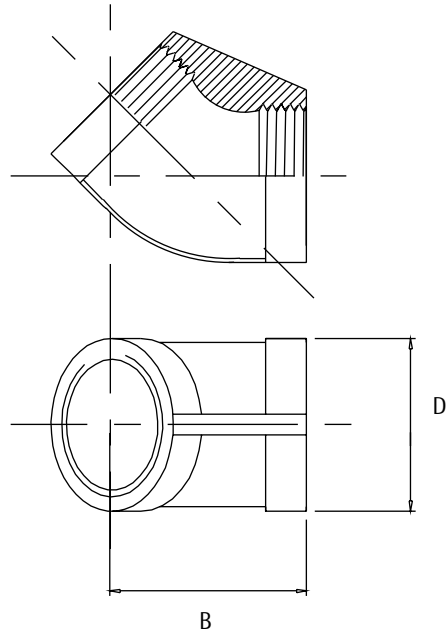
N 84 ST X
BSP elbows,
150 lbs casted, 90°,
Socket/nipple

Dimension	AISI 316	Articleno.
1/8"		31598
1/4"		31599
3/8"		31600
1/2"		31601
3/4"		31602
1"		31603
1 1/4"		31604
1 1/2"		31605
2"		31606
2 1/2"		31607
3"		31608



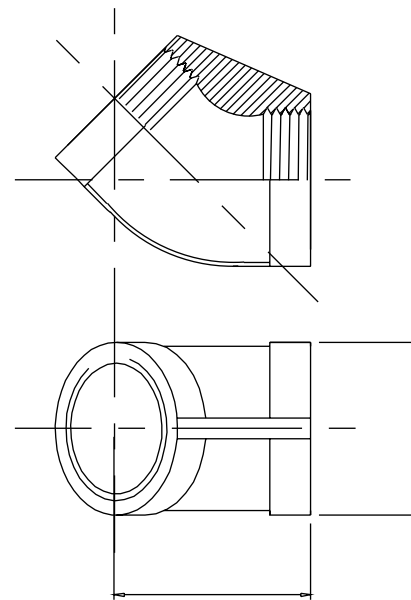
N 84 ST
BSP elbows,
150 lbs casted , 45°

Dimension	B mm	D mm	Kg/pc	AISI	316
Articleno.					
1/8"	26,0	16,0	0,035		24200
1/4"	28,0	19,0	0,035		24201
3/8"	31,0	22,5	0,045		24202
1/2"	35,0	29,0	0,080		24203
3/4"	41,0	34,0	0,125		24204
1"	48,0	42,0	0,200		24205
1 1/4"	55,0	52,0	0,300		24206
1 1/2"	60,0	59,0	0,380		24207
2"	68,0	72,0	0,570		24208
2 1/2"	89,0	89,5	1,020		24209
3"	103,0	104,5	1,080		24210



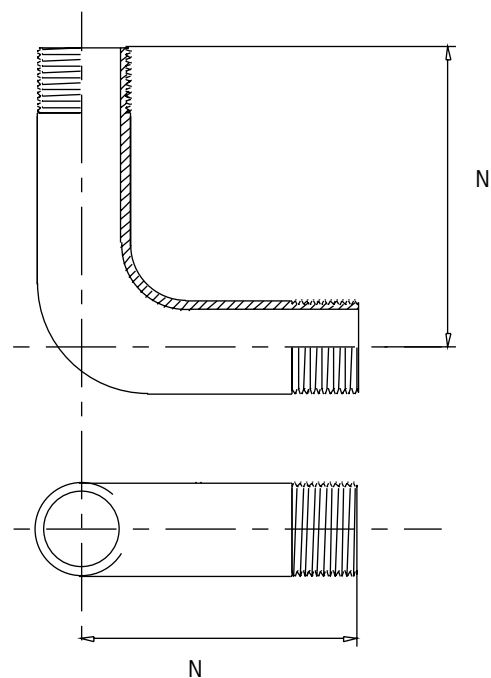
N 84 ST X
BSP elbows,
150 lbs casted , 45°

Dimension	AISI	316
Articleno.		
1/8"		31609
1/4"		31610
3/8"		31611
1/2"		31612
3/4"		31613
1"		31614
1 1/4"		31615
1 1/2"		31616
2"		31617
2 1/2"		31618
3"		31619



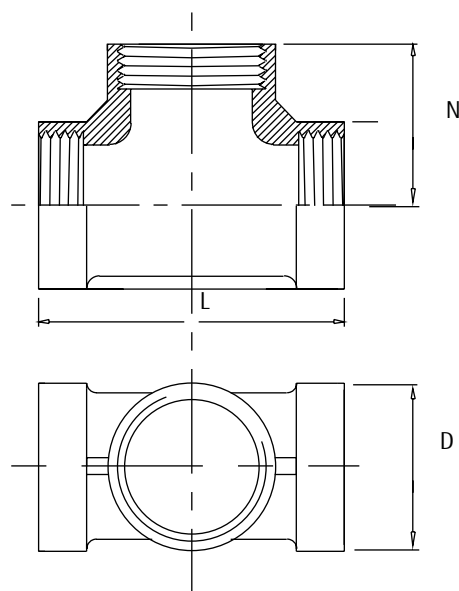
N 85 U
BSP bend 90°, taper thread

Dimension	N mm	Kg/pc	AISI	316
Articleno.				
1/8"	50,0	0,050		10258
1/4"	60,0	0,084		10259
3/8"	70,0	0,136		10260
1/2"	80,0	0,238		10261
3/4"	100,0	0,382		10262
1"	120,0	0,632		10263
1 1/4"	140,0	0,694		10264
1 1/2"	160,0	1,210		10265
2"	190,0	2,020		10266
2 1/2"	240,0	2,000		10267
3"	290,0	2,310		10268



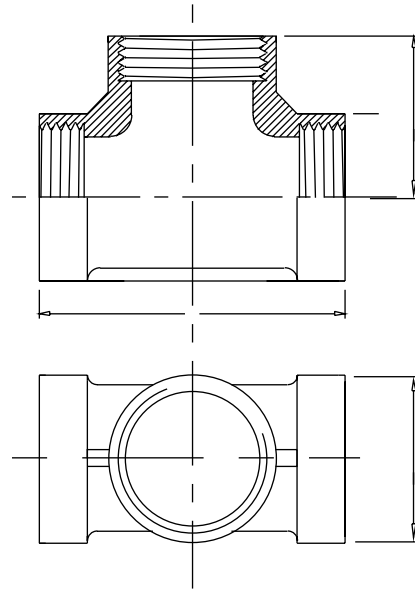
N 86 ST
BSP t-pcs.,
150 lbs casted

Dimension	L mm	N mm	D mm	Kg/pc	AISI	316
Articleno.						
1/8"	30,5	18,0	16,0	0,037		10280
1/4"	39,0	20,0	19,0	0,048		10281
3/8"	46,0	23,5	22,5	0,063		10282
1/2"	56,0	28,0	29,0	0,110		10283
3/4"	65,0	32,0	34,0	0,140		10284
1"	72,0	36,0	41,5	0,240		10285
1 1/4"	92,0	47,0	52,0	0,350		10286
1 1/2"	97,0	48,5	59,0	0,430		10287
2"	115,0	57,0	72,0	0,620		10288
2 1/2"	131,0	66,0	88,0	1,200		10289
3"	146,5	74,0	105,0	1,600		10290



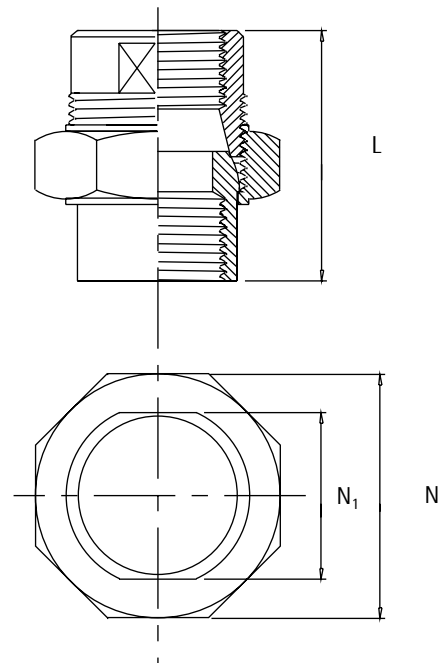
N 86 ST X
 BSP t-pcs.,
 150 lbs casted

Dimension	AISI	316
	Articleno.	
1/8"		31620
1/4"		31621
3/8"		31622
1/2"		31623
3/4"		31624
1"		31625
1 1/4"		31626
1 1/2"		31627
2"		31628
2 1/2"		31629
3"		31630



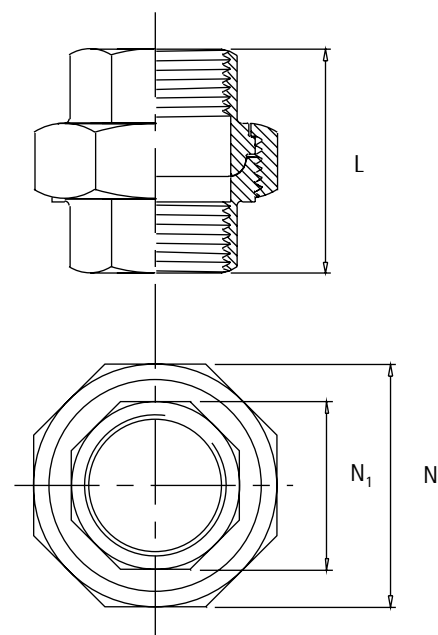
N 97
 BSP union, taper faces

Dimension	L mm	N mm	N ₁ mm	Kg/pc	AISI	316
	Articleno.					
1/8"	32,0	19,0	Hex. 14,0	0,074		10299
1/4"	38,0	27,0	Hex. 21,0	0,084		10300
3/8"	41,0	32,0	Hex. 24,0	0,126		10301
1/2"	46,0	36,0	Hex. 26,0	0,224		10302
3/4"	50,0	46,0	Hex. 32,0	0,368		10303
1"	55,0	50,0	Hex. 41,0	0,458		10304
1 1/4"	62,0	60,0	Hex. 48,0	0,626		10305
1 1/2"	64,0	65,0	Hex. 53,0	0,892		10306
2"	67,0	83,0	Hex. 70,0	1,300		10307
2 1/2"	70,0	100,0	8-kt. 85,0	1,625		10308
3"	75,0	115,0	8-kt. 100,0	1,956		10309



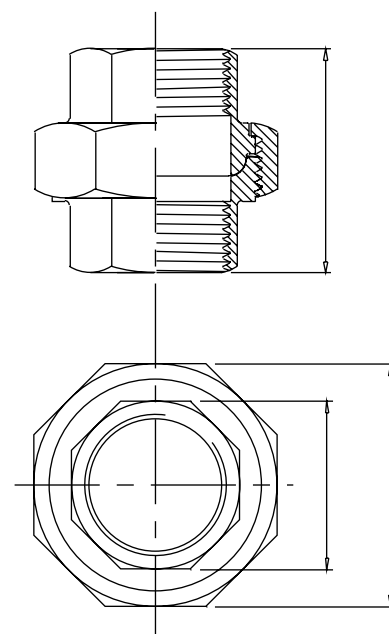
N 97 ST
BSP union, taper faces,
150 lbs casted

Dimension	L mm	N mm		N ₁ mm	Kg/pc	AISI	316
							Articleno.
1/8"	36,5	28,5	Hex.	18,0	0,085		24216
1/4"	34,5	29,5	Hex.	18,0	0,080		24217
3/8"	38,0	34,5	Hex.	21,5	0,120		24218
1/2"	40,5	39,0	8-kt.	26,5	0,150		24219
3/4"	45,0	45,8	8-kt.	31,0	0,200		24220
1"	51,0	55,0	8-kt.	38,0	0,290		24221
1 1/4"	55,0	65,5	10-kt.	48,5	0,420		24222
1 1/2"	57,5	74,0	10-kt.	54,5	0,520		24223
2"	64,0	86,0	10-kt.	66,8	0,795		24224
2 1/2"	71,0	106,0	10-kt.	83,0	1,300		24225
3"	84,0	124,0	10-kt.	97,0	1,900		24226



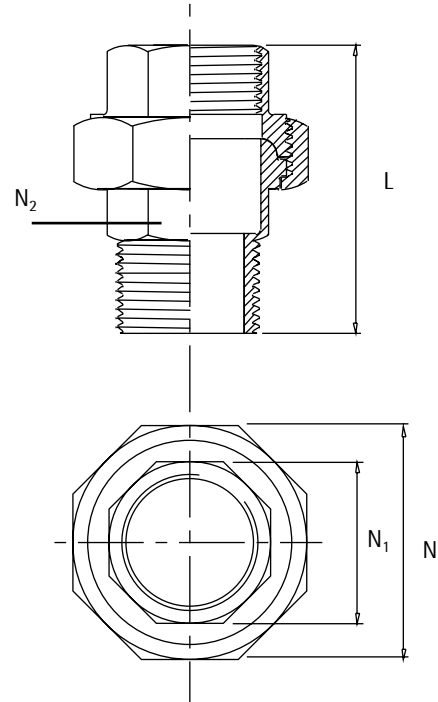
N 97 ST X
BSP union, taper faces,
150 lbs casted

Dimension	AISI	316
		Articleno.
1/8"		31631
1/4"		31632
3/8"		31633
1/2"		31634
3/4"		31635
1"		31636
1 1/4"		31637
1 1/2"		31638
2"		31639
2 1/2"		31640
3"		31641



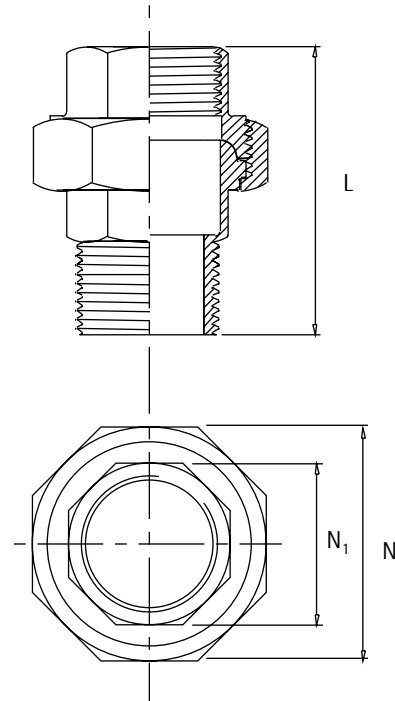
N 97 U
*BSP tip-union, taper faces,
 taper thread*

Dimension	L mm	N mm		N ₁ mm	N ₂ mm	Kg/pc	AISI	316
Articleno.								
1/8"	40,0	19,0	Hex.	14,0	11,0	0,082		10310
1/4"	46,0	27,0	Hex.	21,0	15,0	0,100		10311
3/8"	53,0	32,0	Hex.	24,0	19,0	0,150		10312
1/2"	61,0	36,0	Hex.	26,0	22,0	0,266		10313
3/4"	66,0	46,0	Hex.	32,0	28,0	0,440		10314
1"	75,0	50,0	Hex.	41,0	35,0	0,576		10315
1 1/4"	81,0	60,0	Hex.	48,0	43,0	0,944		10316
1 1/2"	85,0	65,0	Hex.	53,0	49,0	1,070		10317
2"	87,0	83,0	Hex.	70,0	60,0	1,380		10318
2 1/2"	97,0	100,0	8-kt.	85,0	76,0	1,725		10319
3"	109,0	115,0	8-kt.	100,0	89,0	2,105		10320



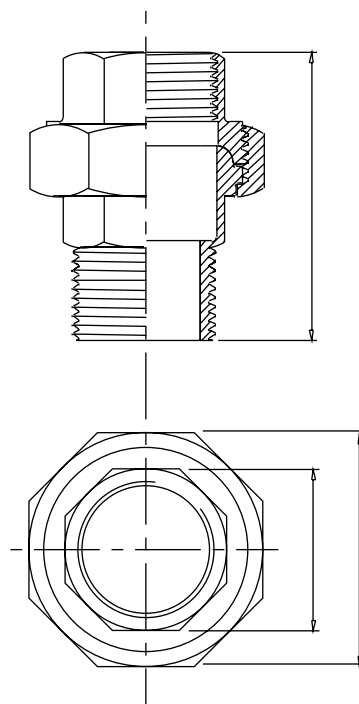
N 97 U ST
*BSP tip-union, taper faces,
 taper thread,
 150 lbs casted*

Dimension	L mm	N mm		N ₁ mm	Kg/pc	AISI	316
Articleno.							
1/8"	51,0	28,5	Hex.	18,0	0,090		24246
1/4"	51,0	28,5	Hex.	18,0	0,090		24247
3/8"	53,0	34,5	Hex.	21,5	0,127		24248
1/2"	53,0	40,0	8-kt.	26,5	0,170		24249
3/4"	60,0	46,0	8-kt.	31,0	0,230		24250
1"	66,0	55,0	8-kt.	38,0	0,340		24251
1 1/4"	74,0	65,5	10-kt.	48,5	0,480		24252
1 1/2"	76,0	74,0	10-kt.	54,5	0,600		24253
2"	83,0	86,0	10-kt.	66,8	1,015		24254
2 1/2"	92,0	106,0	10-kt.	83,0	1,420		24255
3"	104,0	124,0	10-kt.	97,0	2,010		24256



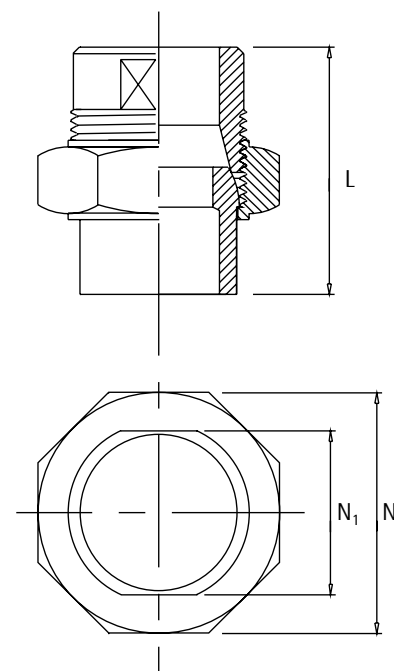
N 97 U ST X
BSP tip-union, taper faces,
taper thread,
150 lbs casted

Dimension	AISI	316
	Articleno.	
1/8"		31642
1/4"		31643
3/8"		31644
1/2"		31645
3/4"		31646
1"		31647
1 1/4"		31648
1 1/2"		31649
2"		31650
2 1/2"		31651
3"		31652



N 97 S
BSP union for welding, taper faces

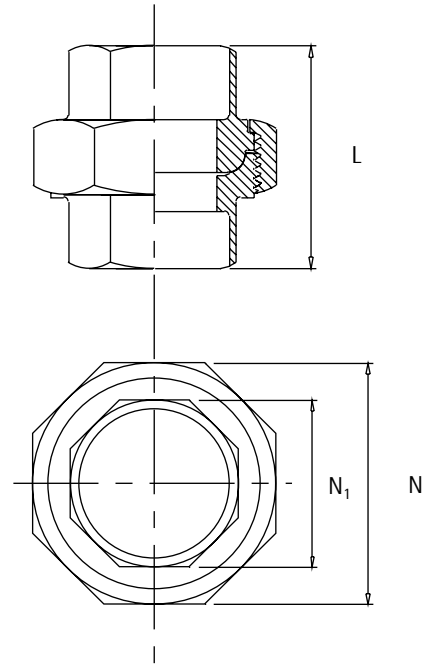
Dimension	L mm	N mm	N ₁ mm	Kg/pc	AISI	316
	Articleno.					
3/8" - 17,2 x 2,35	40,0	32,0	Hex.	21,0	0,150	10321
1/2" - 21,3 x 2,65	40,0	36,0	Hex.	23,0	0,266	10322
3/4" - 26,9 x 2,65	44,0	46,0	Hex.	30,0	0,440	10323
1" - 33,7 x 3,25	52,0	50,0	Hex.	38,0	0,576	10324
1 1/4" - 42,4 x 3,25	57,0	60,0	Hex.	45,0	0,530	10325
1 1/2" - 48,3 x 3,25	63,0	65,0	Hex.	50,0	1,070	10326
2" - 60,3 x 3,65	72,0	83,0	Hex.	66,0	1,380	10327
2 1/2" - 76,1 x 3,65	80,0	100,0	8-kt.	82,0	1,725	10328
3" - 88,9 x 4,05	90,0	115,0	8-kt.	97,0	2,070	10329



N 97 S ST

*BSP union for welding, taper faces,
150 lbs casted*

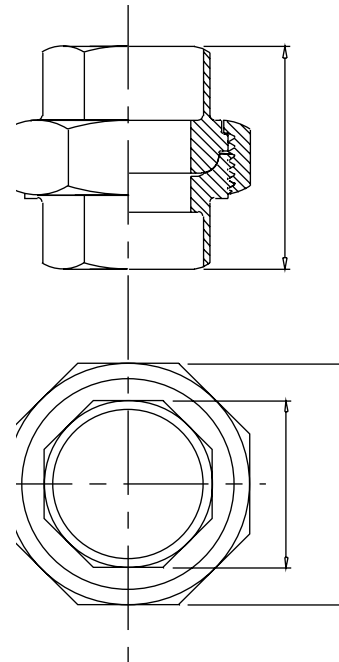
Dimension	L mm	N mm	N ₁ mm	Kg/pc	AISI	316
Articleno.						
3/8" - 17,2 x 2,3	38,0	34,5 Hex.	17,3	0,078		24281
1/2" - 21,3 x 2,6	40,0	39,0 8-kt.	21,6	0,078		24282
3/4" - 26,9 x 2,6	47,5	46,0 8-kt.	27,1	0,112		24283
1" - 33,7 x 3,2	49,5	55,0 8-kt.	33,8	0,147		24284
1 1/4" - 42,4 x 3,2	54,0	65,5 10-kt.	42,8	0,210		24285
1 1/2" - 48,3 x 3,2	57,0	74,0 10-kt.	48,6	0,306		24286
2" - 60,3 x 3,6	59,0	86,0 10-kt.	60,6	0,455		24287
2 1/2" - 76,1 x 3,6	69,5	106,0 10-kt.	76,3	0,590		24288
3" - 88,9 x 4,0	81,5	124,0 10-kt.	89,1	0885		24239



N 97 S ST X

*BSP union for welding, taper faces,
150 lbs casted*

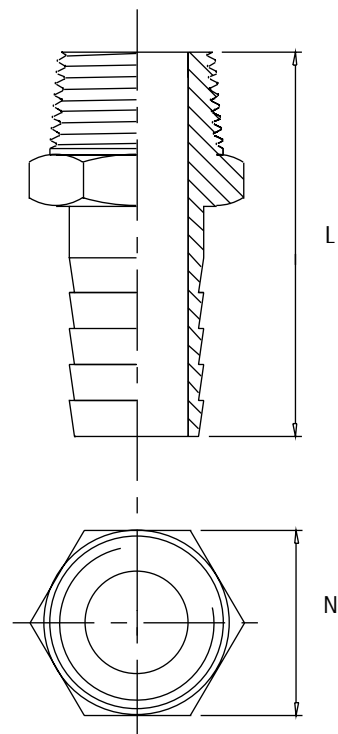
Dimension	AISI	316
Articleno.		
3/8" - 17,2 x 2,3		31653
1/2" - 21,3 x 2,6		31654
3/4" - 26,9 x 2,6		31655
1" - 33,7 x 3,2		31656
1 1/4" - 42,4 x 3,2		31657
1 1/2" - 48,3 x 3,2		31658
2" - 60,3 x 3,6		31659
2 1/2" - 76,1 x 3,6		31660
3" - 88,9 x 4,0		31660



N 106

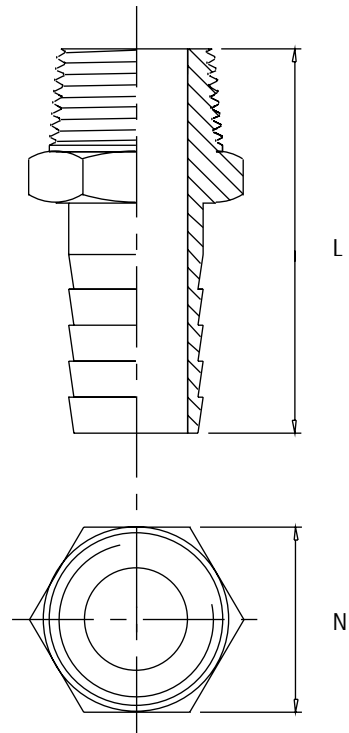
BSP hose nipple, taper thread

Dimension	L mm	N mm		Kg/pc	AISI 316	Articleno.
1/8" / 6,5 mm	36,0	14,0	Hex.	0,018		10364
1/4" / 6,5 mm	40,0	14,0	Hex.	0,018		10365
1/4" / 8,0 mm	40,0	14,0	Hex.	0,018		10366
1/4" / 11,0 mm	40,0	14,0	Hex.	0,018		10367
3/8" / 11,0 mm	42,0	19,0	Hex.	0,034		10368
1/2" / 14,0 mm	48,0	22,0	Hex.	0,056		10369
1/2" / 17,0 mm	48,0	22,0	Hex.	0,060		10370
3/4" / 20,0 mm	56,0	30,0	Hex.	0,110		10371
1" / 26,0 mm	65,0	36,0	Hex.	0,186		10372
1 1/4" / 33,0 mm	75,0	46,0	Hex.	0,320		10373
1 1/2" / 39,0 mm	78,0	50,0	Hex.	0,320		10374
2" / 51,0 mm	96,0	65,0	Hex.	0,500		10375
2 1/2" / 63,0 mm	104,0	80,0	8-kt.	0,720		10376
3" / 76,0 mm	115,0	95,0	8-kt.	0,860		10377



N 106 ST
BSP hose nipple, taper thread,
150 lbs casted

Dimension	L mm	N mm	Kg/pc	AISI	316
Articleno.					
1/8" / 6,5 mm	46,0	15,0	Hex.	0,021	24261
1/4" / 6,5 mm	46,0	15,0	Hex.	0,021	24262
1/4" / 8,0 mm	46,0	15,0	Hex.	0,021	24263
1/4" / 11,0 mm	46,0	15,0	Hex.	0,021	24264
3/8" / 11,0 mm	53,0	19,0	Hex.	0,033	24265
1/2" / 14,0 mm	56,0	23,0	Hex.	0,060	24266
1/2" / 17,0 mm	56,0	23,0	Hex.	0,060	24267
3/4" / 20,0 mm	60,0	29,0	Hex.	0,075	24268
1" / 26,0 mm	69,0	35,0	Hex.	0,155	24269
1 1/4" / 33,0 mm	70,0	45,0	Hex.	0,230	24270
1 1/2" / 39,0 mm	80,0	51,0	Hex.	0,330	24271
2" / 51,0 mm	88,0	62,0	Hex.	0,500	24272
3" / 76,0 mm	110,0	91,5	Hex.	1,100	24273



N 106 ST X
BSP hose nipple, taper thread,
150 lbs casted

Dimension	AISI	316
Articleno.		
1/8" / 6,5 mm		31662
1/4" / 6,5 mm		31663
1/4" / 8,0 mm		31664
1/4" / 11,0 mm		31665
3/8" / 11,0 mm		31666
1/2" / 14,0 mm		31667
1/2" / 17,0 mm		31668
3/4" / 20,0 mm		31669
1" / 26,0 mm		31670
1 1/4" / 33,0 mm		31671
1 1/2" / 39,0 mm		31672
2" / 51,0 mm		31673
3" / 76,0 mm		31674

