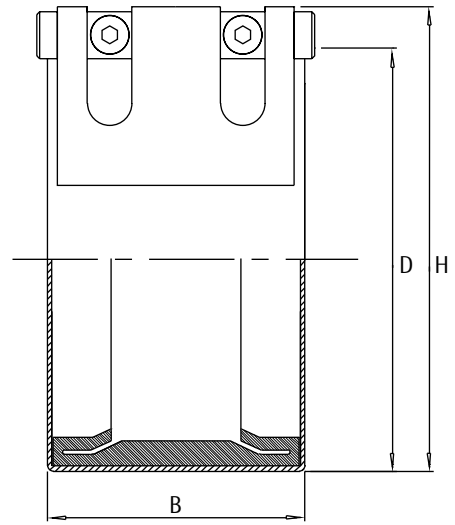


Tube couplings

Measurement: All measurement are guidelines

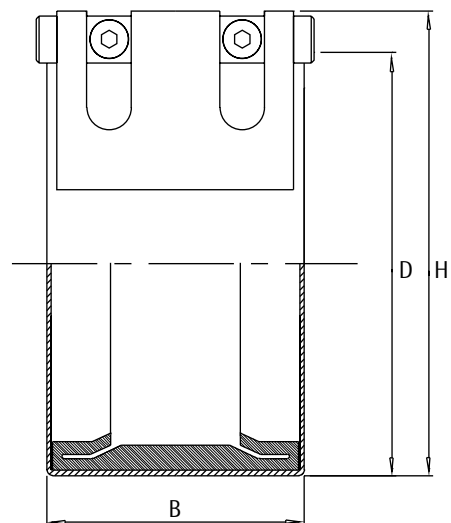
N 200
 Tube couplings,
 Stainless, NT 16, type II,
 EPDM sealing, TEEKAY AXILOCK

Dimension	D mm	H mm	B mm	Kg/pc	EN 1.4301 AISI 304 Articleno.
48,3	68,3	87,3	85,0	0,90	15095
54,0	74,0	93,0	85,0	1,00	25501
60,3	80,3	99,3	85,0	1,00	15096
71,0	91,0	110,0	85,0	1,00	25502
76,1	96,1	115,1	85,0	1,00	15097
84,0	104,0	123,0	85,0	1,30	25503
88,9	108,9	127,9	85,0	1,30	15098
104,0	124,0	143,0	85,0	1,60	25504
114,3	134,3	153,3	85,0	1,60	15099
129,0	149,0	168,0	85,0	1,60	25505
139,7	159,7	178,7	85,0	1,60	15100
154,0	176,0	198,0	110,0	2,40	25506
168,3	190,3	212,3	110,0	2,40	15101
204,0	226,0	248,0	110,0	3,00	25507
219,1	241,1	263,1	110,0	3,00	15102
254,0	276,0	298,0	110,0	3,40	25508
306,0	328,0	350,0	110,0	3,80	25509
356,0	384,0	414,0	140,0	7,10	25510
406,0	434,0	464,0	140,0	8,00	25511



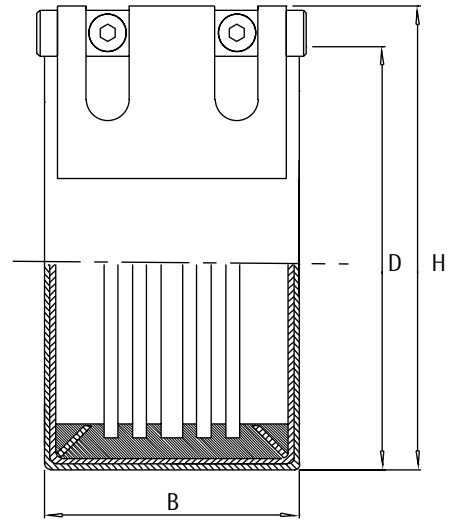
N 200
Tube couplings,
Stainless, NT 16, type IV,
EPDM sealing, TEEKAY AXILOCK

Dimension	D mm	H mm	B mm	Kg/pc	EN 1.4404 AISI 304 Articleno.
48,3	68,3	87,3	85,0	0,90	15087
54,0	74,0	93,0	85,0	1,00	15061
60,3	80,3	99,3	85,0	1,00	15088
71,0	91,0	110,0	85,0	1,00	15062
76,1	96,1	115,1	85,0	1,00	15089
84,0	104,0	123,0	85,0	1,30	15063
88,9	108,9	127,9	85,0	1,30	15090
104,0	124,0	143,0	85,0	1,60	15064
114,3	134,3	153,3	85,0	1,60	15091
129,0	149,0	168,0	85,0	1,60	15065
139,7	159,7	178,7	85,0	1,60	15092
154,0	176,0	198,0	110,0	2,40	15066
168,3	190,3	212,3	110,0	2,40	15093
204,0	226,0	248,0	110,0	3,00	15067
219,1	241,1	263,1	110,0	3,00	15094
254,0	276,0	298,0	110,0	3,40	15068
306,0	328,0	350,0	110,0	3,80	15069
356,0	384,0	414,0	140,0	7,10	15070
406,0	434,0	464,0	140,0	8,00	15071



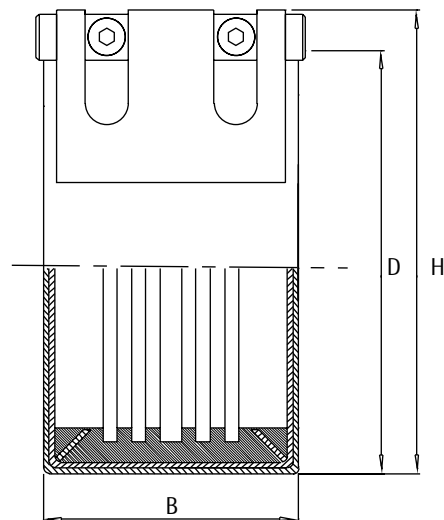
N 205
 Tube couplings,
 Stainless, NT 16, type II,
 EPDM sealing, TEEKAY AXILOCK

Dimension	D mm	H mm	B mm	Kg/pc	EN 1.4301 AISI 304 Articleno.
48,3	71,0	85,0	87,0	1,00	15079
54,0	77,0	91,0	87,0	1,00	15072
60,3	83,0	97,0	87,0	1,00	15080
71,0	95,0	113,0	87,0	1,00	15073
76,1	100,0	118,0	88,0	1,00	15081
84,0	108,0	126,0	88,0	1,30	15074
88,9	113,0	131,0	88,0	1,30	15082
104,0	128,0	149,0	114,0	1,60	15075
114,3	138,0	159,0	114,0	1,60	15083
129,0	153,0	174,0	114,0	1,60	15076
139,7	166,0	193,0	115,0	1,60	15084
154,0	181,0	209,0	117,0	2,40	15077
168,3	195,0	223,0	117,0	2,40	15085
204,0	232,0	262,0	120,0	3,00	15078
219,1	247,0	277,0	120,0	3,00	15086



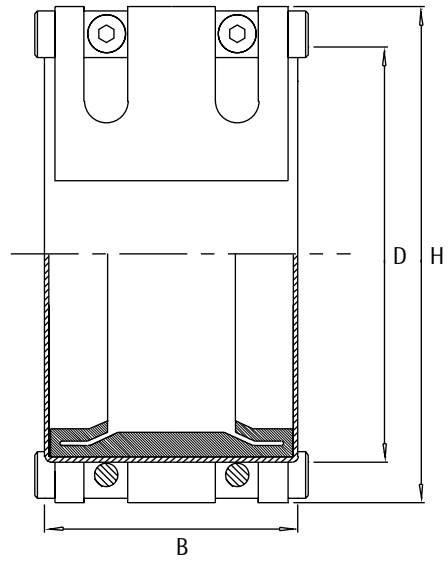
N 205
Tube couplings,
Stainless, NT 16, type IV,
EPDM sealing, TEEKAY AXILOCK

Dimension	D mm	H mm	B mm	Kg/pc	EN 1.4404 AISI 304 Articleno.
48,3	71,0	85,0	87,0	1,00	25519
54,0	77,0	91,0	87,0	1,30	25512
60,3	83,0	97,0	87,0	1,30	25520
71,0	95,0	113,0	87,0	1,40	25513
76,1	100,0	118,0	88,0	1,40	25521
84,0	108,0	126,0	88,0	1,75	25514
88,9	113,0	131,0	88,0	1,75	25522
104,0	128,0	149,0	114,0	2,50	25515
114,3	138,0	159,0	114,0	2,50	25523
129,0	153,0	174,0	114,0	4,20	25516
139,7	166,0	193,0	115,0	4,20	25524
154,0	181,0	209,0	117,0	4,60	25517
168,3	195,0	223,0	117,0	4,60	25525
204,0	232,0	262,0	120,0	6,90	25518
219,1	247,0	277,0	120,0	6,90	25526



N 210
*Repair couplings,
 Acid proff, NT 10, type IV,
 EPDM sealing, TEEKAY REPAIR*

Dimension	D mm	H mm	B mm	Kg/pc	EN 1.4301 AISI 304
Articlono.					
84,0	106,0	150,0	110,0	3,00	25600
104,0	126,0	170,0	110,0	3,20	25601
129,0	151,0	195,0	110,0	3,20	25602
154,0	176,0	220,0	110,0	3,60	25603
204,0	226,0	270,0	110,0	4,20	25604
254,0	276,0	320,0	110,0	4,60	25605



*Precision torque wrench
 Manufactoret NORBAR,
 For torque*

Dimension	Kg/pc
Articlono.	
8 - 54 N/m	1,00
30 - 150 N/m	1,00

*Adaptor
 For M screws,
 Teekay*

Dimension	Kg/pc
Articlono.	
M 8	1,00
M 10	1,00
M 12	1,00
M 16	1,00